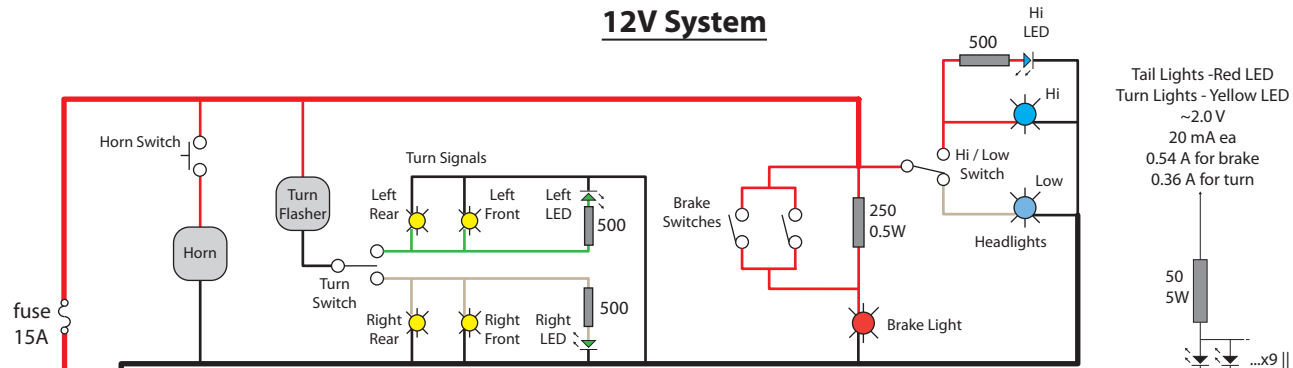
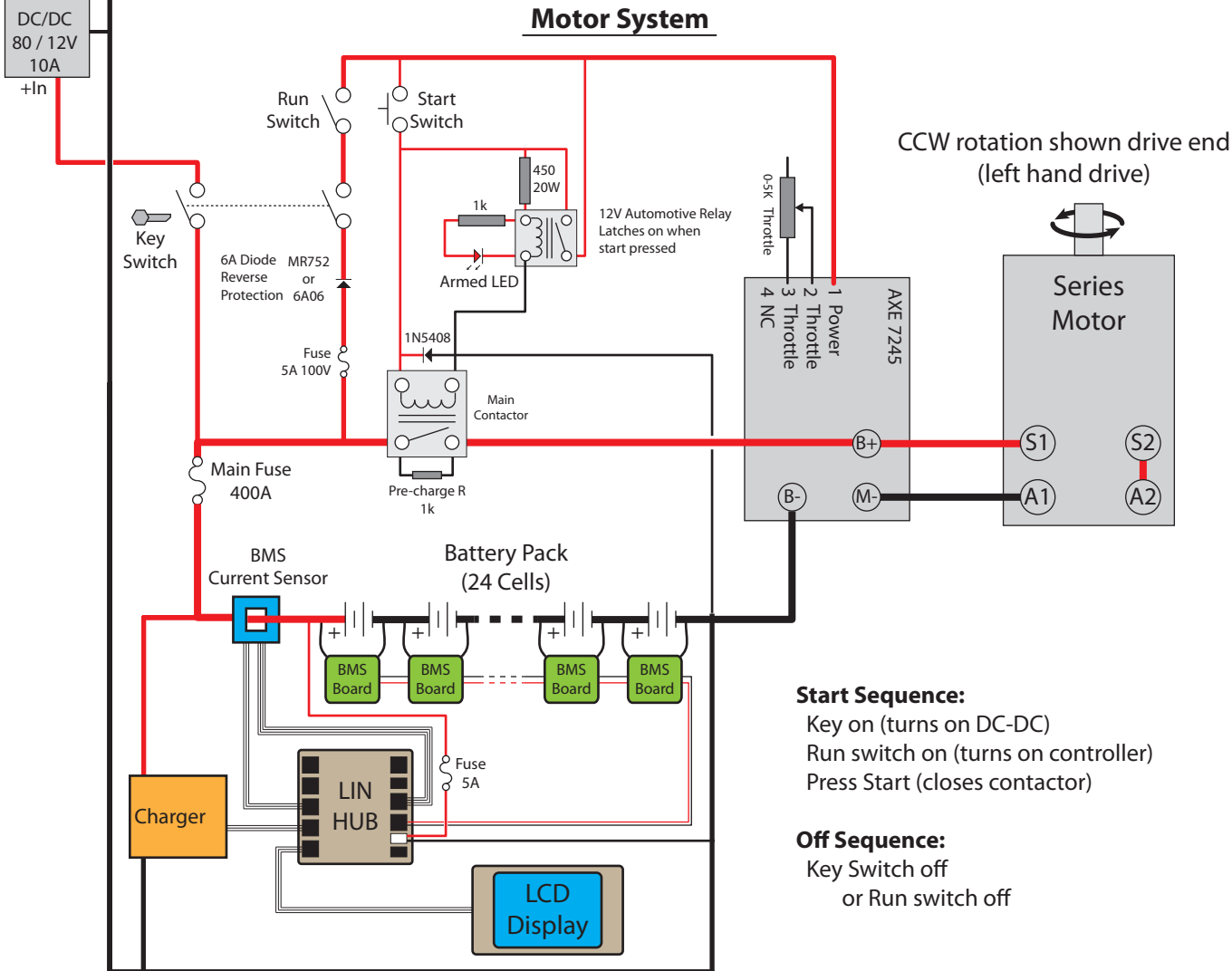


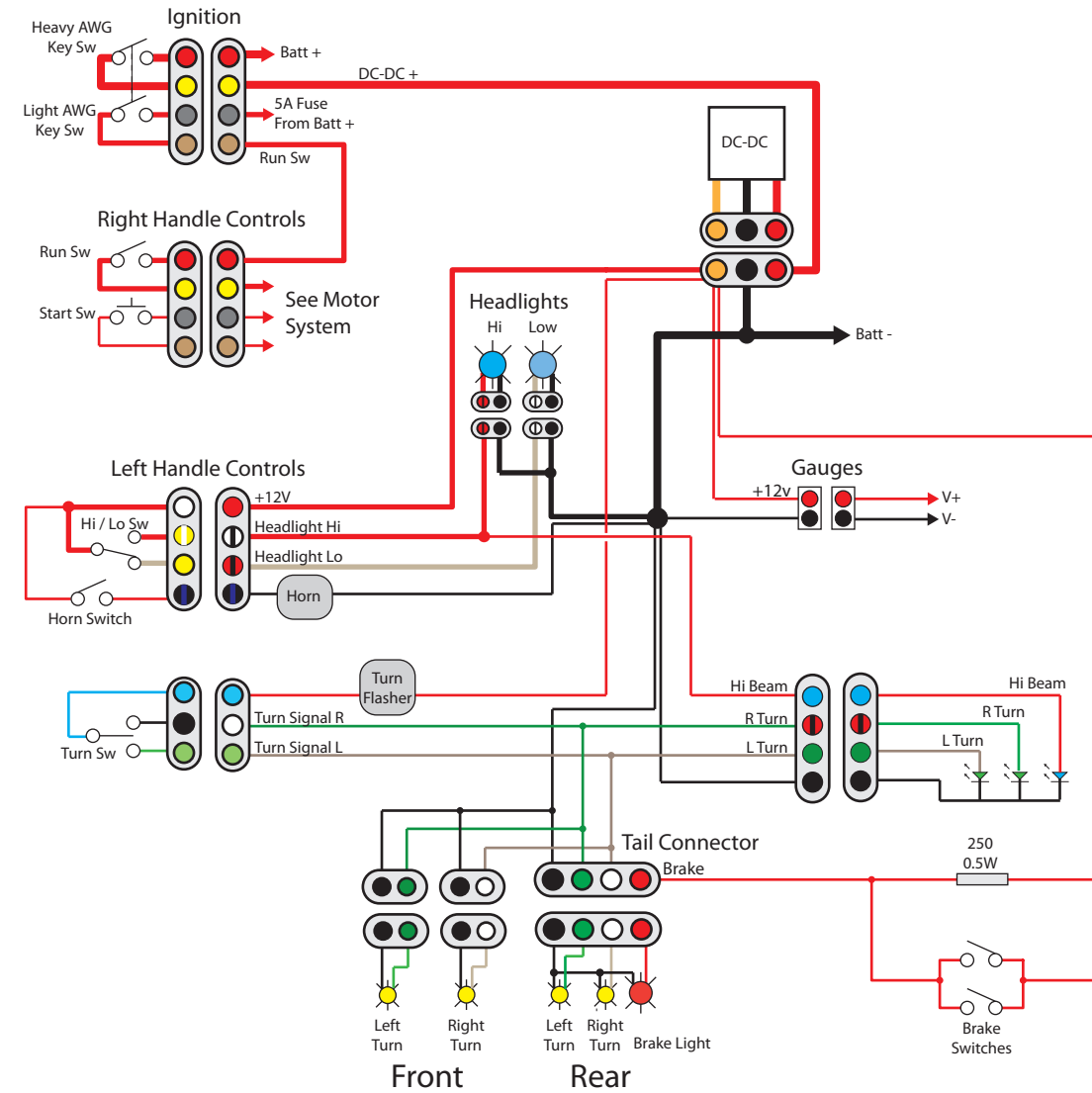
12V System



Motor System



Wiring Harness



Power Wiring 2/0 AWG
 Headlight 16 AWG
 DC-DC 14 AWG
 All others 18 AWG

High beam 65 W ~ 5.5 A
 Horn ~ 2 A
 Tail / turn ~ 1 A
 Other ~ 1 A
 Total = 9.5 A

Electric Motorcycle Wiring
 Drawn by: Noah Podolefsky
 Revision date: 2/20/2011