

Re: Guidance on digital signage related to the 2010 Americans with Disabilities Act

Guidance to frequently asked questions for digital signage are included below. A few things need to be considered first. Is the digital signage interactive? If **yes**, the digital signage will need to comply with the ADA's requirements for:

- 1) Protruding Objects (Sec 307),
- 2) Reach Ranges (Sec 308), and
- 3) Signs (Sec 703.5 only).

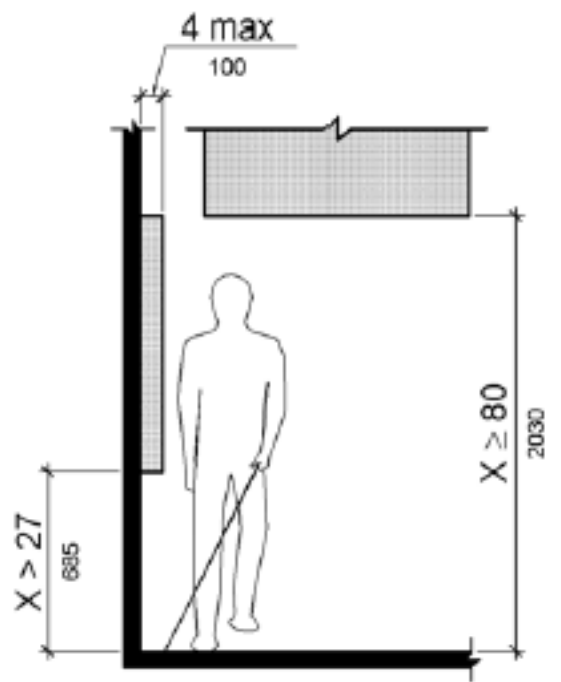
If the digital signage is **not** interactive, it will only need to comply with:

- 1) Protruding Objects (Sec 307), and
- 2) Signs (Sec 703.5 only)

A description of each is provided below.

Protruding Objects (ADA Sec 307)

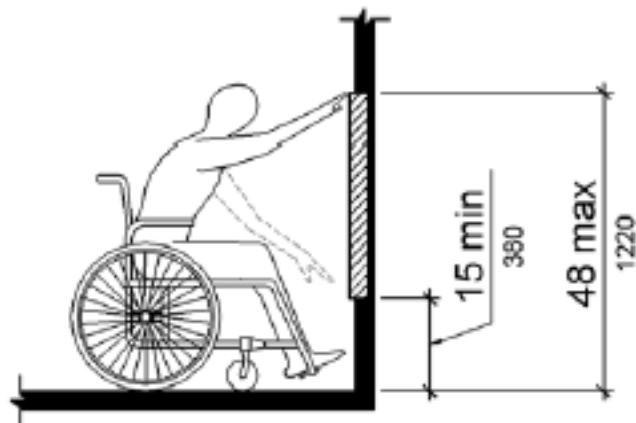
307.2 Protrusion Limits. Objects with leading edges more than 27 inches (685 mm) and not more than 80 inches (2030 mm) above the finish floor or ground shall protrude 4 inches (100 mm) maximum horizontally into the circulation path



Reach Ranges (ADA Sec 308)

For a forward approach...

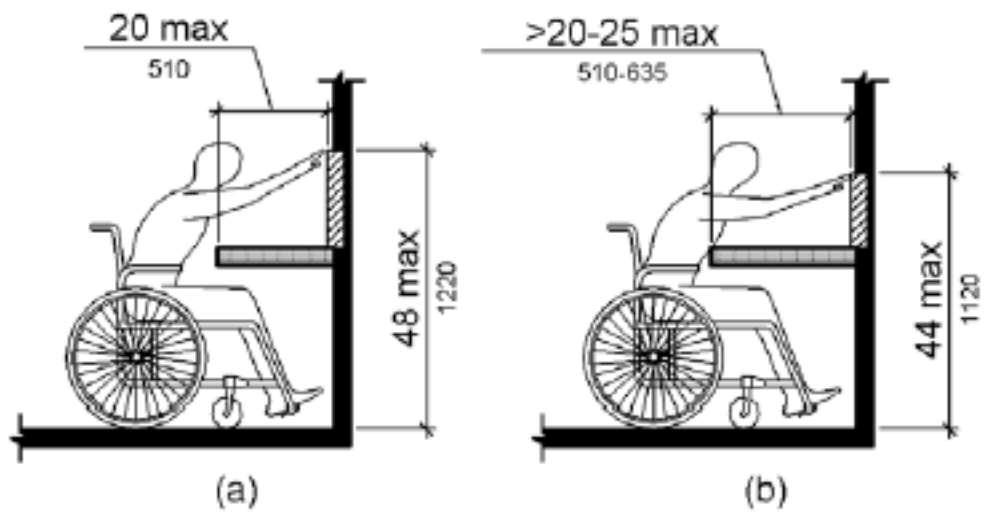
308.2.1 Unobstructed. Where a forward reach is unobstructed, the high forward reach shall be 48 inches (1220 mm) maximum and the low forward reach shall be 15 inches (380 mm) minimum above the finish floor or ground.



Reach Ranges (ADA Sec 308) – continued

For a forward approach over an obstruction...

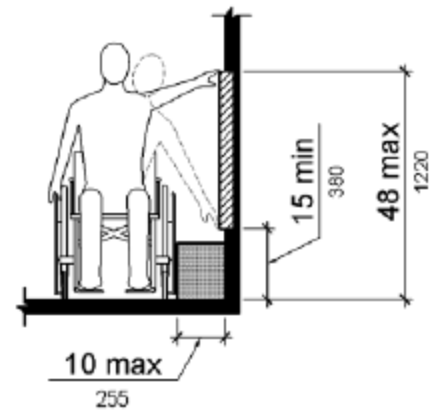
308.2.2 Obstructed High Reach. Where a high forward reach is over an obstruction, the clear floor space shall extend beneath the element for a distance not less than the required reach depth over the obstruction. The high forward reach shall be 48 inches (1220 mm) maximum where the reach depth is 20 inches (510 mm) maximum. Where the reach depth exceeds 20 inches (510 mm), the high forward reach shall be 44 inches (1120 mm) maximum and the reach depth shall be 25 inches (635 mm) maximum



Reach Ranges (ADA Sec 308) – continued

For a parallel approach...

308.3.1 Unobstructed. Where a clear floor or ground space allows a parallel approach to an element and the side reach is unobstructed, the high side reach shall be 48 inches (1220 mm) maximum and the low side reach shall be 15 inches (380 mm) minimum above the finish floor or ground



Signs (ADA Sec 703.5)

703.5.6 Height From Finish Floor or Ground. Visual characters shall be 40 inches (1015 mm) minimum above the finish floor or ground.