

# MUSEUM COLLECTIONS & ARMORY WINDOW REPLACEMENT

UNIVERSITY of COLORADO  
BOULDER, COLORADO 80309

## PROJECT DIRECTORY

OWNER/CLIENT:  
UNIVERSITY OF COLORADO AT BOULDER  
Facilities Management  
RL2, 1540 30th Street, 3rd Floor, 453 UCB  
Boulder, CO 80309-0453  
Moe Tabrizi, Project Manager  
P: 303-442-1425  
Tina Wells, Project Manager  
P: 303-442-1102  
tina.wells@colorado.edu

ARCHITECT  
PEH ARCHITECTS  
1319 Spruce Street, Suite 207  
Boulder, CO 80302  
P: 303-442-0408  
F: 303-447-1905  
Peter E. Heinz, AIA, Principal  
peheinz@peharchitects.com  
Christopher Mirto, Assoc. AIA, Project Manager  
cmirto@peharchitects.com

## SHEET INDEX

SHEET NUMBER	SHEET TITLE
A000	COVER SHEET, PROJECT INFORMATION
A200	MUSEUM COLLECTIONS PARTIAL 1ST & 2ND FLOOR PLANS
A201	MUSEUM COLLECTIONS PARTIAL 3RD & 4TH FLOOR PLANS
A202	MUSEUM COLLECTIONS WINDOW DETAILS
A203	ARMORY 1ST & 2ND FLOOR PLANS & WINDOW ELEVATIONS
A204	ARMORY WINDOW DETAILS

### ABBREVIATIONS KEY:

(E) = EXISTING  
(N) = NEW  
EXT. = EXTERIOR  
SIM. = SIMILAR  
U.N.O = UNLESS NOTED OTHERWISE  
TYP. = TYPICAL  
GYP. BD. = GYPSUM BOARD  
CS = CASEMENT  
DH = DOUBLE HUNG

### ALTERNATES SUMMARY:

**BASE BID:** WINDOW REPLACEMENT IN MUSEUM COLLECTIONS BUILDING (DETAILS 1 & 2 ON A202)

**UNIT PRICE REQUEST #1:** SOLID SURFACE SILL (CORIAN OR EQUAL) IN LIEU OF WOOD SILL (SIMILAR TO DETAILS 1 & 2 ON A202)

**UNIT PRICE REQUEST #2:** WOOD CASE OPTION AT MUSEUM COLLECTIONS BUILDING (DETAILS 3 & 4 ON A202)

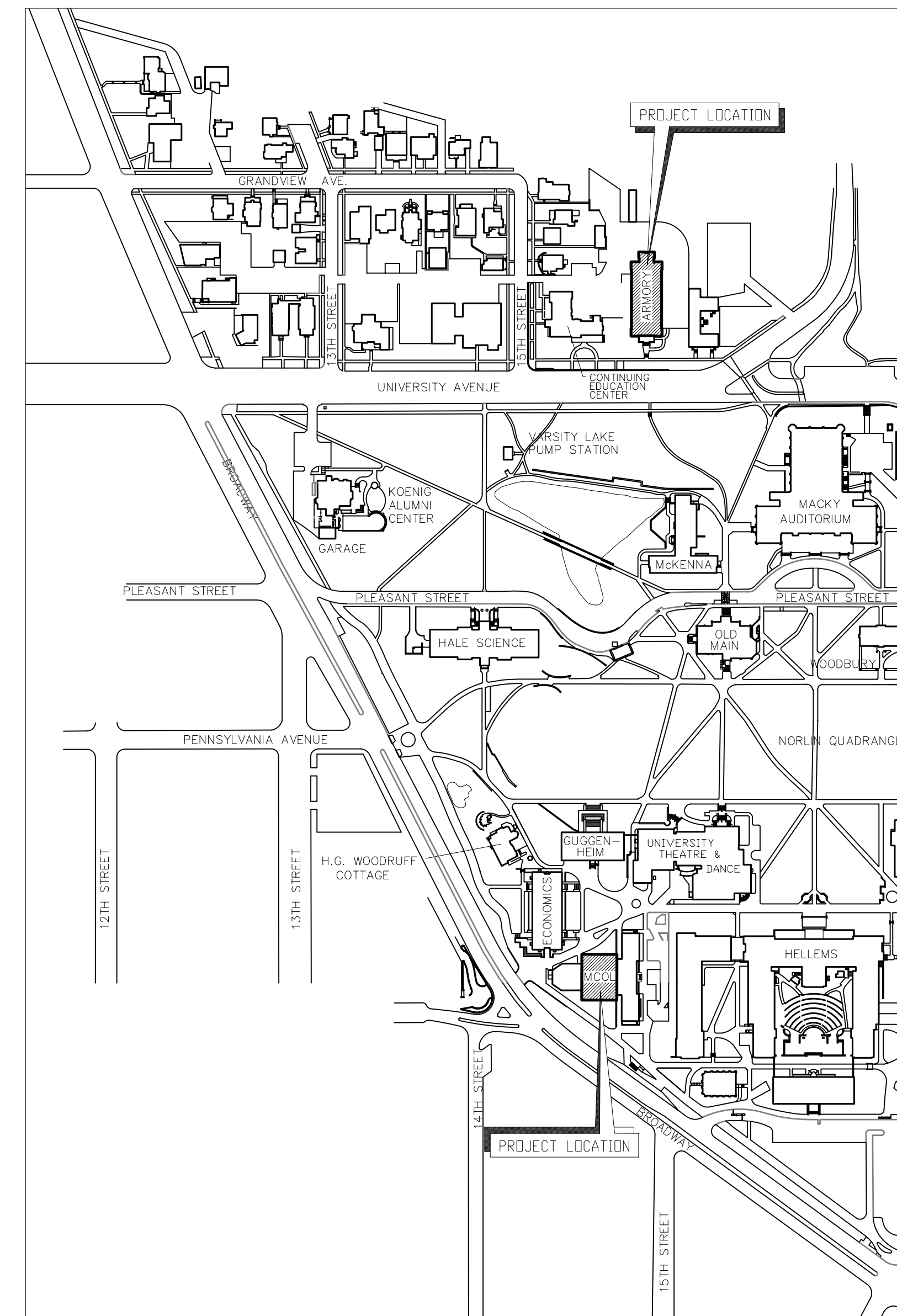
**UNIT PRICE REQUEST #3:** PROVIDE OPERABLE WINDOWS IN LIEU OF FIXED ON A PER-WINDOW BASIS AT MUSEUM COLLECTIONS

**ADD ALTERNATE #1:** WINDOW REPLACEMENT IN ARMORY BUILDING

**UNIT PRICE REQUEST #4:** WINDOWS IN ARMORY BUILDINGS TO BE FIBERGLASS IN LIEU OF ALUMINUM-CLAD WOOD.

### FIRE & LIFE SAFETY REQUIREMENTS:

1. GLAZING: PLEASE ENSURE THAT ANY GLAZING SUBJECT TO HUMAN IMPACT COMPLIES WITH THE REQUIREMENTS OF THE 2006 IBC, E.G., USING SAFETY GLAZING. PLEASE SEE 2006 IBC FOR LOCATIONS SUBJECT TO HUMAN IMPACT.
2. HOT WORK DURING CONSTRUCTION: PLEASE ENSURE THAT ANY HOT WORK ACTIVITIES DURING CONSTRUCTION, E.G., USING HEAT GUNS, SOLDERING, BRAZING, WELDING, GRINDING, POWDER DRIVEN STUDS, METAL CUTTING USING POWER TOOLS OR OTHER ACTIVITIES INVOLVING FLAMES OR SPARKS ARE PRECEDED BY OBTAINING AN APPROVED HOT WORK PERMIT. IF A HOT WORK PERMIT IS REQUIRED, PLEASE DIRECT THE CONTRACTOR TO FOLLOW THE PROCEDURES. HOT WORK PERMIT FORMS ARE AVAILABLE FROM CU PROJECT MANAGERS, FM OFFICE OF PLANNING, DESIGN AND CONSTRUCTION AND UNDER "HOT WORK PERMIT" AT THE FLS WEB SITE: (<http://www.colorado.edu/facilitiesmanagement/pdc/safety/index.html>).
3. ACCESS AND EGRESS OBSTRUCTIONS: PLEASE ENSURE THAT THE PROJECT STAGING AREA AND CONSTRUCTION ACTIVITIES DO NOT CAUSE THE OBSTRUCTION OF PATHS OF EGRESS INSIDE THE BUILDING, BLOCK EXIT DISCHARGE FROM THE BUILDING OR IMPEDE EMERGENCY VEHICLE ACCESS TO THE AREA.
4. DUST/FUME GENERATION: IF THE CONSTRUCTION ACTIVITIES GENERATE DUST OR FUMES INSIDE THE BUILDING, NECESSARY MEASURES ARE TO BE TAKEN TO PREVENT THE NUISANCE ACTUATION OF ANY NEARBY SMOKE OR DUCT DETECTORS. PLEASE CONTACT THE FIRE SYSTEMS GROUP TO TAKE NECESSARY ACTIONS.
5. OUTAGE PROCEDURES: PLEASE ENSURE THAT ANY OUTAGES OF THE FIRE SYSTEMS ARE BASED ON THE CAMPUS PROCEDURES. THE CAMPUS PROCEDURES ARE AVAILABLE FROM THE FLS WEB SITE:  
[http://www.colorado.edu/facilitiesmanagement/pdc/safety/documents/fire\\_suppression\\_systems.pdf](http://www.colorado.edu/facilitiesmanagement/pdc/safety/documents/fire_suppression_systems.pdf)  
AND  
[http://www.colorado.edu/facilitiesmanagement/pdc/safety/documents/FireAlarm\\_Detection.pdf](http://www.colorado.edu/facilitiesmanagement/pdc/safety/documents/FireAlarm_Detection.pdf).



- | NO. | DATE      | REVISION                 |
|-----|-----------|--------------------------|
| 4.  | 4/15/2010 | ISSUE FOR BIDS - REVISED |
| 3.  | 3/10/2010 | ISSUE FOR BIDS           |
| 2.  | 1/13/2010 | 50% CD PROGRESS SET      |
| 1.  | 1/4/2010  | CD PROGRESS SET          |

**PEH ARCHITECTS**  
1319 Spruce Street Suite 207  
Boulder, CO 80302  
303-442-0408, fax: 303-447-1905  
e-mail: [peheinz@peharchitects.com](mailto:peheinz@peharchitects.com)

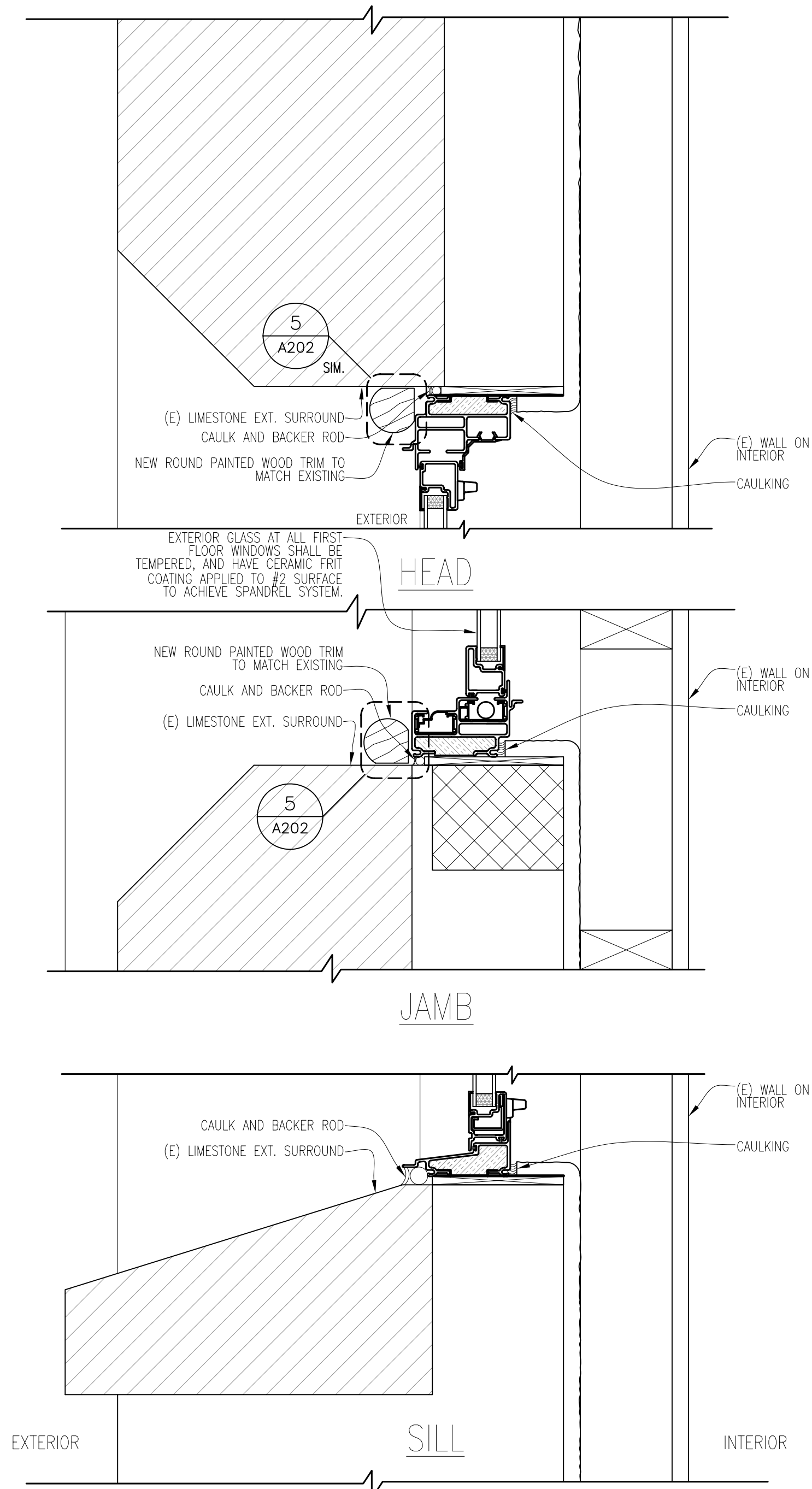
## MUSEUM COLLECTIONS & ARMORY WINDOW REPLACEMENT

UNIVERSITY of COLORADO  
BOULDER, COLORADO  
PR 004637

SHEET TITLE  
COVER SHEET

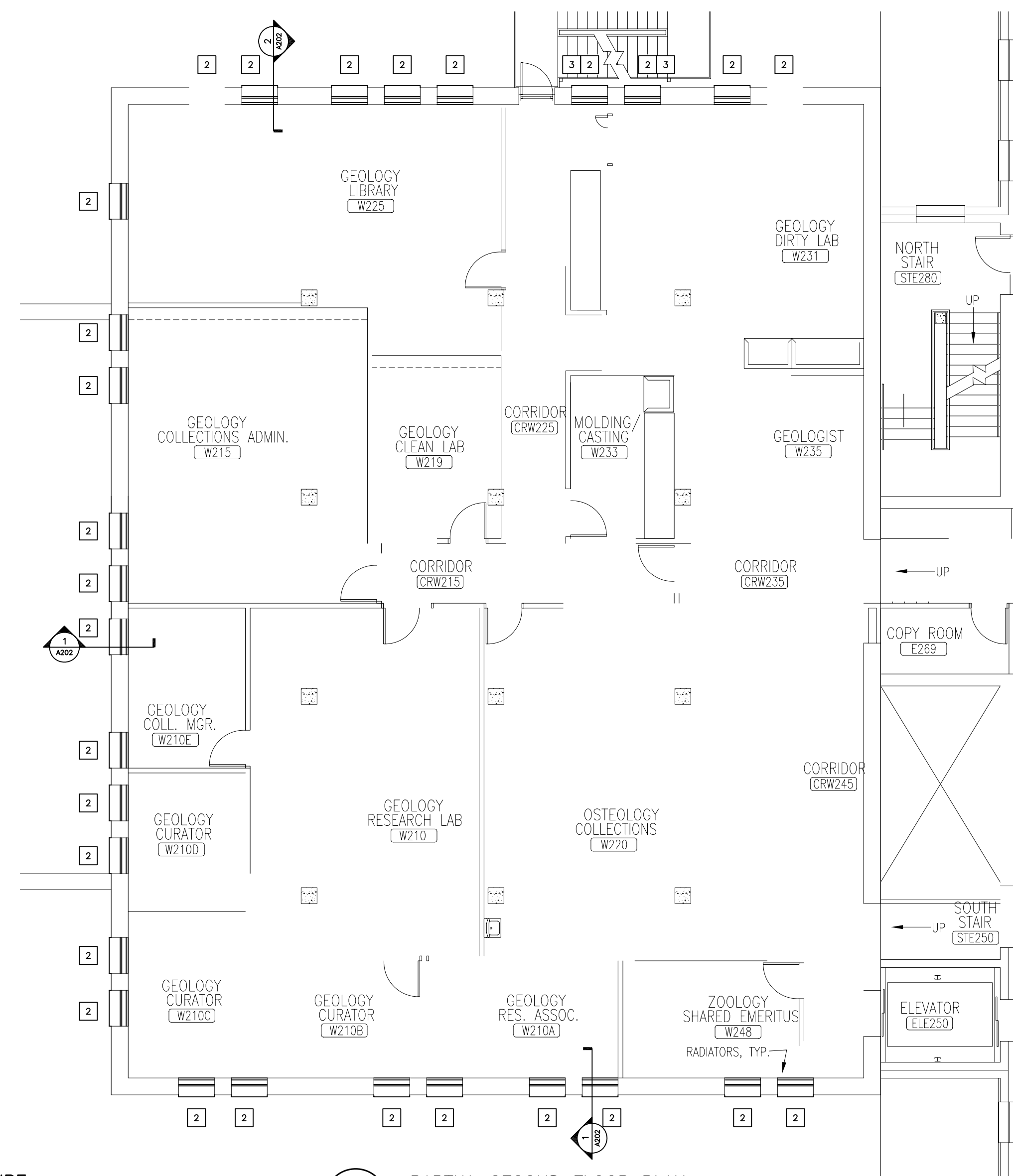
PROJECT:	2009.12		SHEET NUMBER
DATE:	6/24/09		A000
DRAWN BY:	CMM		OF
CHECKED BY:	PEH		

SHEET NUMBER  
A000  
OF

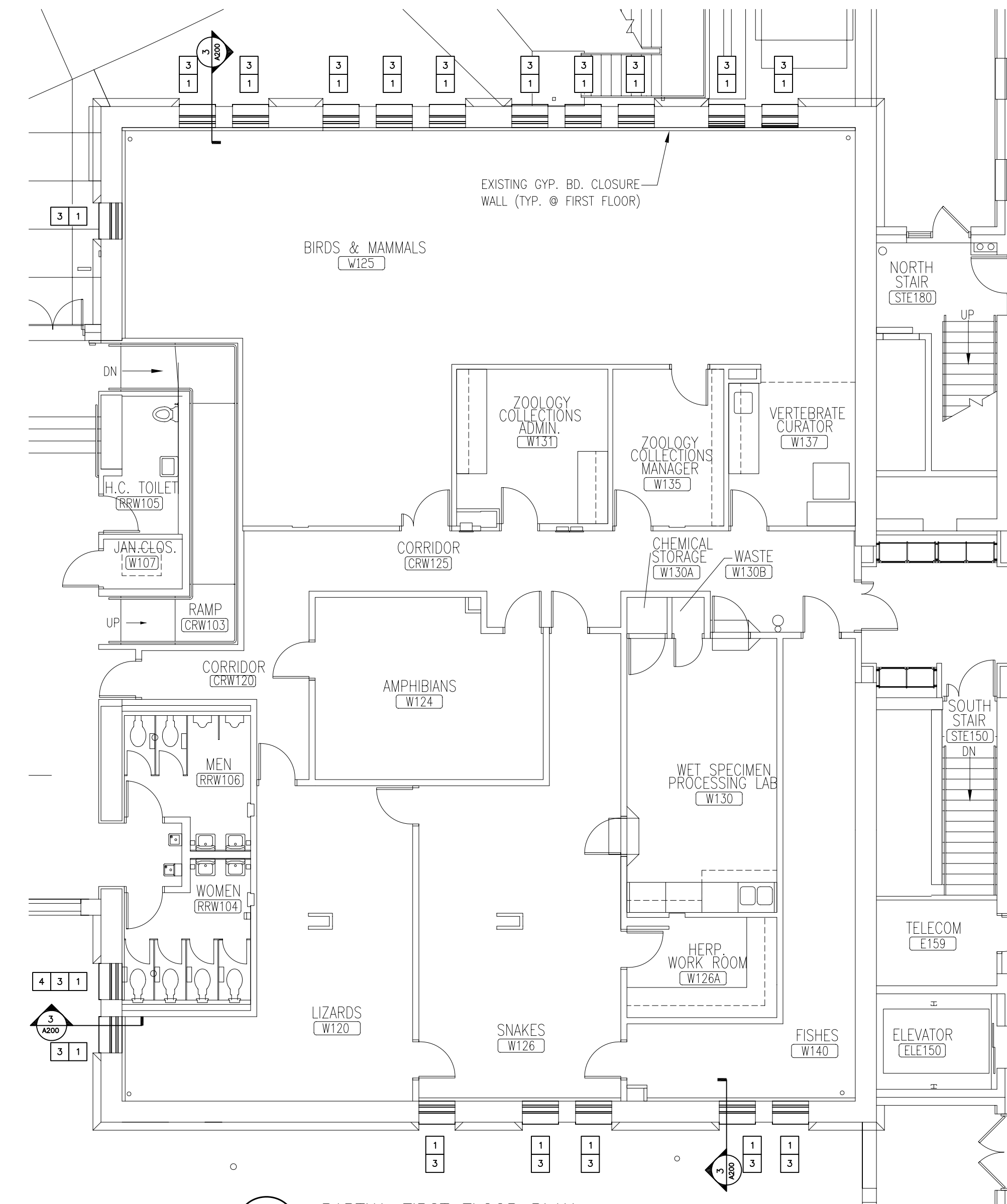


NOTES: -WINDOWS NOT ACCESSIBLE FROM INTERIOR, TO BE REPLACED FROM EXTERIOR (FIRST LEVEL ONLY).  
 -ALL INTERIOR CONDITIONS ARE ASSUMED ON FIRST FLOOR.

**3 WINDOW @ ORIGINAL PLASTER WALL W/ (E) GYP. BD. CLOSURE**  
 3"=1'-0"



**2 PARTIAL SECOND FLOOR PLAN**  
 1/8"=1'-0"

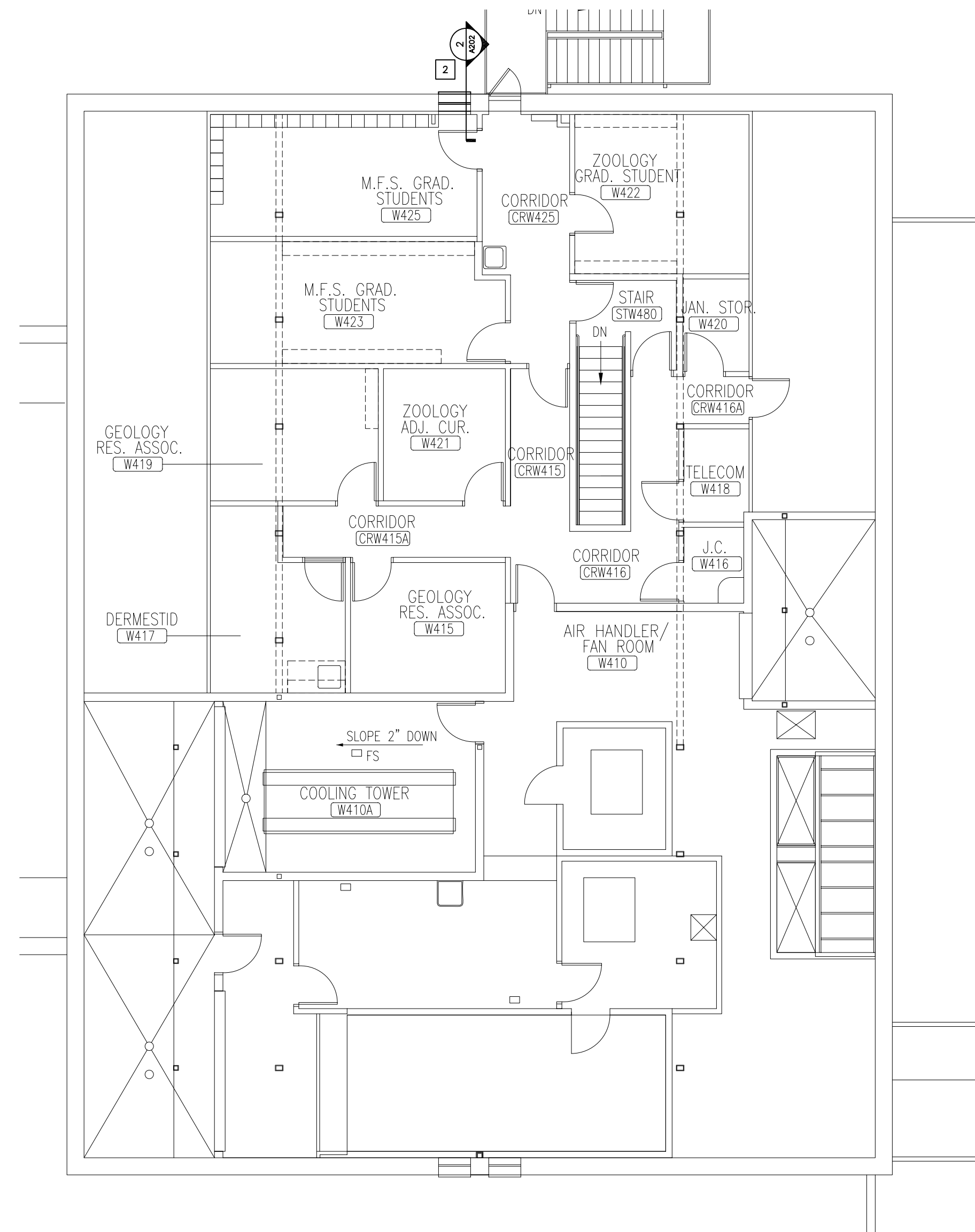


**1 PARTIAL FIRST FLOOR PLAN**  
 1/8"=1'-0"

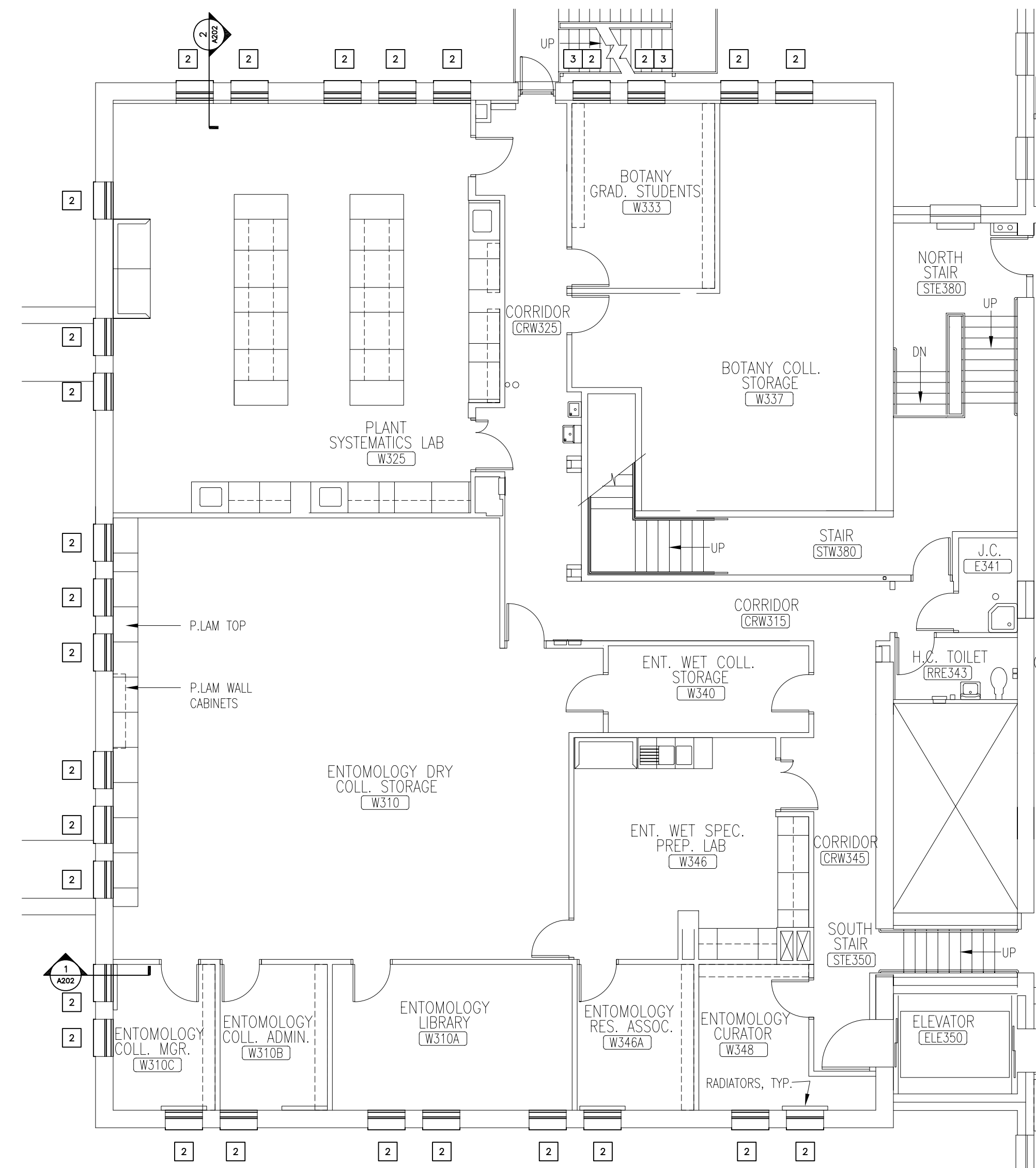
- KEY NOTES
- 1 WINDOWS NOT ACCESSIBLE FROM INTERIOR, TO BE REPLACED FROM EXTERIOR (FIRST LEVEL ONLY). SEE 3/A200 FOR DETAIL.
  - 2 WINDOW TO BE REPLACED. SEE A202 FOR DETAILS.
  - 3 PROVIDE WINDOW WITH TEMPERED GLASS.
  - 4 PROVIDE FROSTED GLASS AT RESTROOMS

ALTERNATE NOTES:  
 WORK SHOWN ON THIS SHEET IS PART OF:  
 BASE BID: WINDOW REPLACEMENT IN THE MUSEUM COLLECTIONS BUILDING

4.	4/15/2010	ISSUE FOR BIDS - REVISED
3.	3/10/2010	ISSUE FOR BIDS
2.	1/15/2010	50% CD PROGRESS SET
1.	1/4/2010	CD PROGRESS SET
NO.	DATE	REVISION
<b>PEH ARCHITECTS</b>		
1319 Spruce Street Suite 207 Boulder, CO 80302 303-442-0408, fax: 303-447-1905 e-mail: peheinz@peharchitects.com		
<b>MUSEUM COLLECTIONS &amp; ARMORY WINDOW REPLACEMENT</b>		
UNIVERSITY of COLORADO BOULDER, COLORADO PR 004637		
SHEET TITLE		
<b>MUSEUM COLLECTIONS PARTIAL 1ST FLOOR &amp; 2ND FLOOR PLANS</b>		
PROJECT:	2009.12	
DATE:	6/24/09	
DRAWN BY:	CMM	
CHECKED BY:	PEH	
SHEET NUMBER		<b>A200</b>
		OF



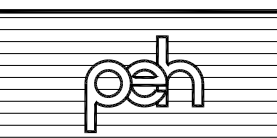
2 PARTIAL FOURTH FLOOR PLAN  
1/8"=1'-0"

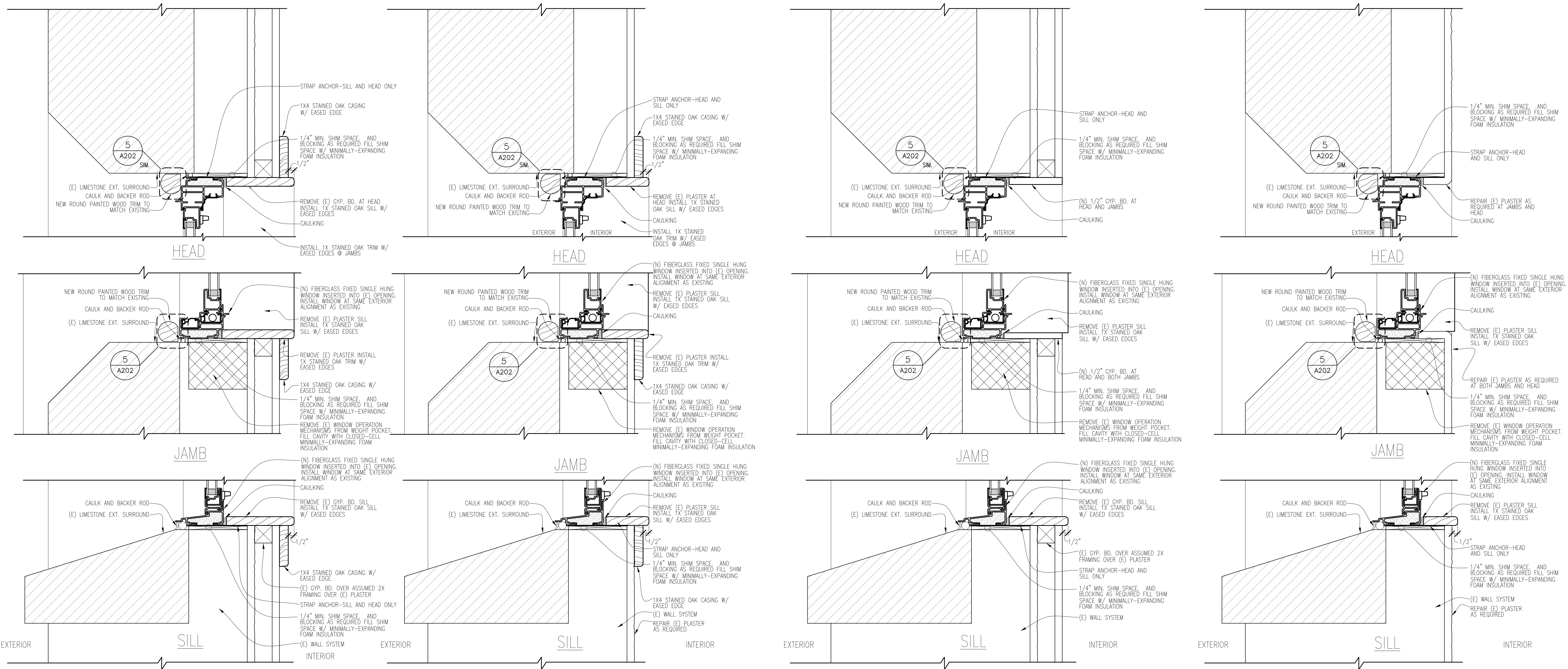


1 PARTIAL THIRD FLOOR PLAN  
1/8"=1'-0"

- KEY NOTES
- 1 WINDOWS NOT ACCESSIBLE FROM INTERIOR, TO BE REPLACED FROM EXTERIOR (FIRST LEVEL ONLY). SEE 3/A200 FOR DETAIL.
  - 2 WINDOW TO BE REPLACED. SEE A202 FOR DETAILS.
  - 3 PROVIDE WINDOW WITH TEMPERED GLASS.
  - 4 PROVIDE FROSTED GLASS AT RESTROOMS

ALTERNATE NOTES:  
WORK SHOWN ON THIS SHEET IS PART OF:  
BASE BID: WINDOW REPLACEMENT IN THE MUSEUM COLLECTIONS BUILDING

4.	4/15/2010	ISSUE FOR BIDS - REVISED
3.	3/10/2010	ISSUE FOR BIDS
2.	1/15/2010	50% CD PROGRESS SET
1.	1/4/2010	CD PROGRESS SET
NO.	DATE	REVISION
<b>PEH ARCHITECTS</b>		
1319 Spruce Street Suite 207 Boulder, CO 80302 303-442-0408, fax: 303-447-1905 e-mail: peheinz@peharchitects.com		
<b>MUSEUM COLLECTIONS &amp; ARMORY WINDOW REPLACEMENT</b>		
UNIVERSITY of COLORADO BOULDER, COLORADO PR 004637		
SHEET TITLE		
<b>MUSEUM COLLECTIONS PARTIAL 3RD &amp; 4TH FLOOR PLANS</b>		
PROJECT:	2009.12	
DATE:	6/24/09	
DRAWN BY:	CMM	
CHECKED BY:	PEH	
		SHEET NUMBER
		<b>A201</b>
		OF



**4 WINDOW @ FURRED WALL—WOOD CASE OPTION**  
3"=1'-0"

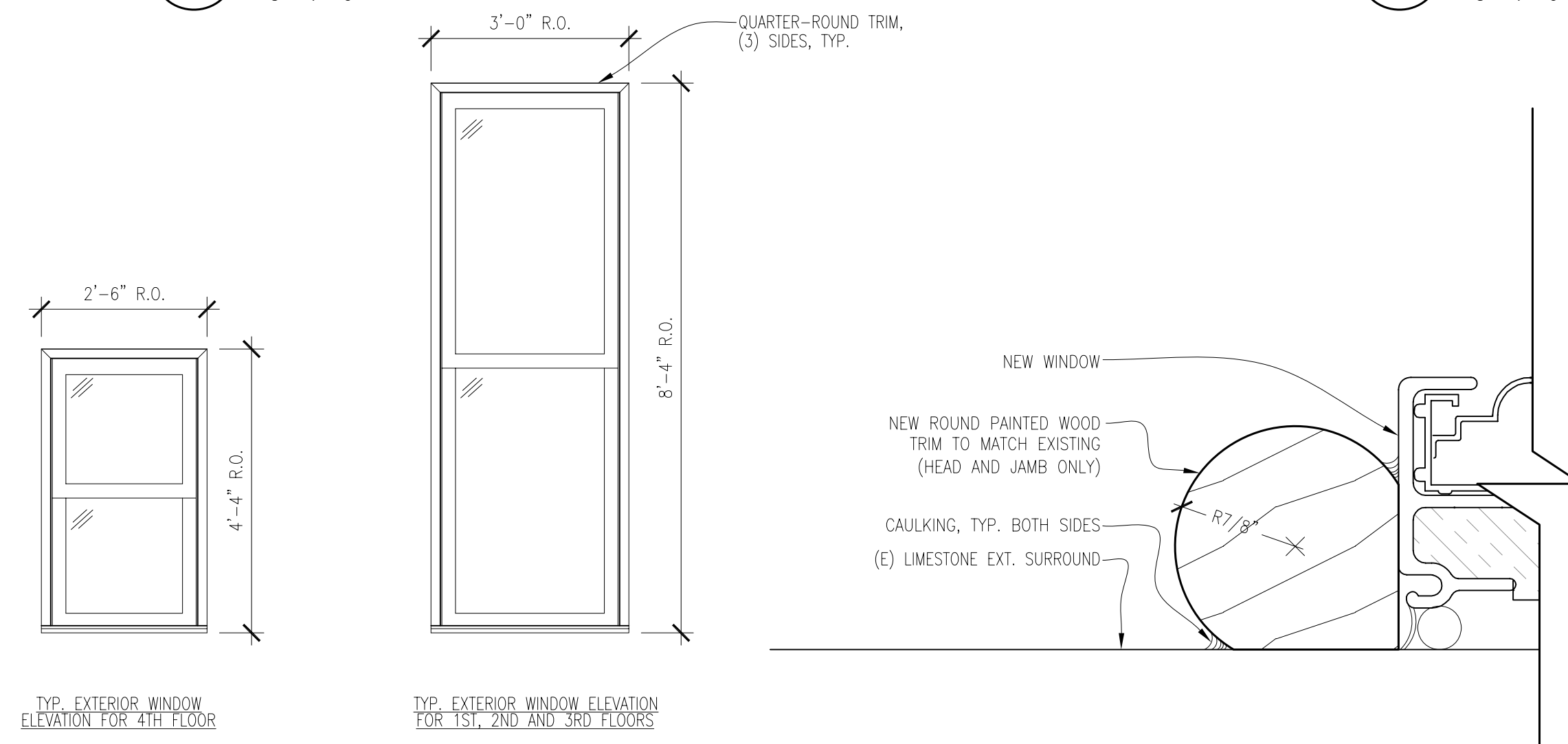
**3 WINDOW @ ORIGINAL PLASTER WALL—WOOD CASE OPTION**  
3"=1'-0"

**2 WINDOW @ FURRED WALL**  
3"=1'-0"

**1 WINDOW @ ORIGINAL PLASTER WALL**  
3"=1'-0"

**NOTES:**  
1. WOOD CASE OPTIONS HAVE BEEN PRESENTED TO MINIMIZE THE AMOUNT OF REPAIR AND REPAINTING THAT WILL BE REQUIRED AS A RESULT OF THE WINDOW DEMOLITION AND INSTALLATION PROCESS.  
2. ALL WINDOWS ARE NON-OPERABLE AND THEREFORE DO NOT REQUIRE HARDWARE.  
3. DIMENSIONS SHOWN ARE APPROX. FRAME TO FRAME. G.C. TO VERIFY ALL SIZES AND SUBMIT SHOP DRAWINGS.

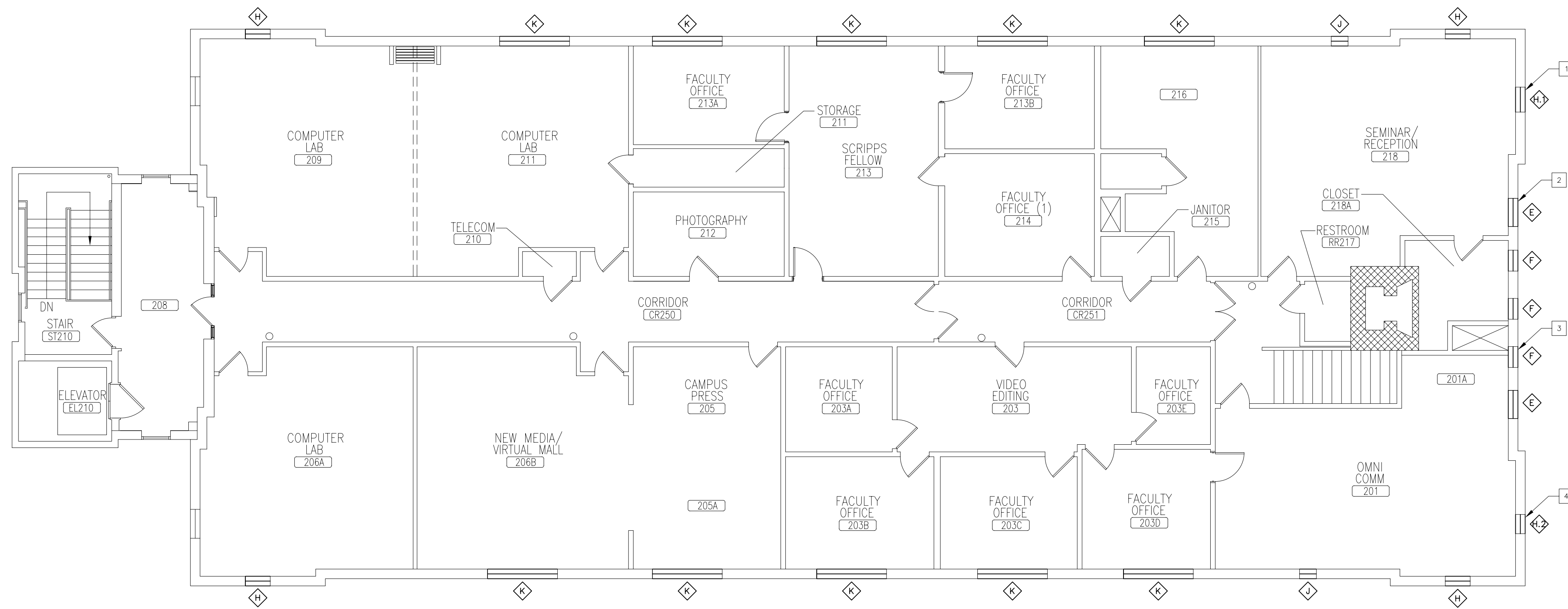
**ALTERNATES NOTES:**  
WORK SHOWN ON THIS SHEET IS PART OF:  
**BASE BID:** WINDOW REPLACEMENT IN MUSEUM COLLECTIONS BUILDING (DETAILS 1 & 2 ON A202)  
**UNIT PRICE REQUEST #1:** SOLID SURFACE SILL (CORIAN OR EQUAL) IN LIEU OF WOOD SILL (SIMILAR TO DETAILS 1 & 2 ON A202)  
**UNIT PRICE REQUEST #2:** WOOD CASE OPTION AT MUSEUM COLLECTIONS BUILDING (DETAILS 3 & 4 ON A202)  
**UNIT PRICE REQUEST #3:** PROVIDE OPERABLE WINDOWS IN LIEU OF FIXED ON A PER-WINDOW BASIS AT MUSEUM COLLECTIONS



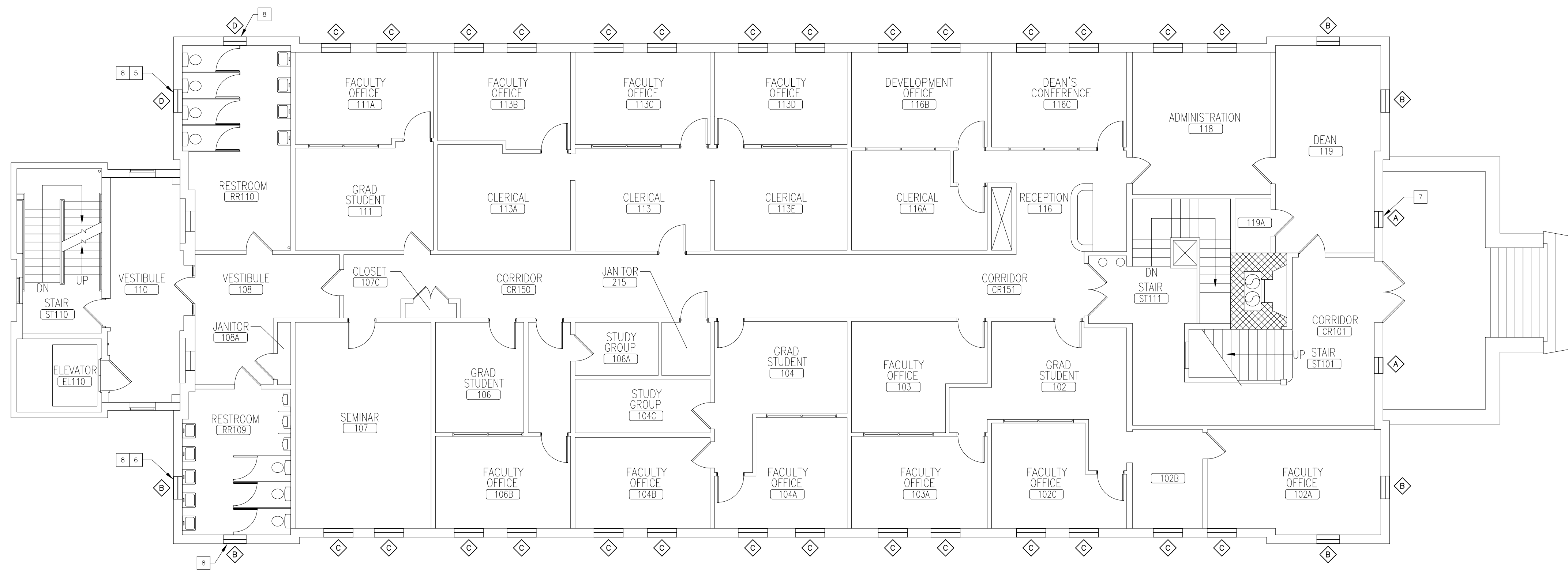
**6 TYP. EXTERIOR WINDOW ELEVATIONS**  
1/2"=1'-0"

**5 ROUND TRIM DETAIL**  
1'-0"=1'-0"

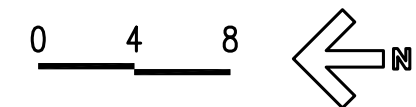
4.	4/15/2010	ISSUE FOR BIDS - REVISED
3.	3/10/2010	ISSUE FOR BIDS
2.	1/15/2010	50% CD PROGRESS SET
1.	1/4/2010	CD PROGRESS SET
NO.	DATE	REVISION
<b>PEH ARCHITECTS</b> 1319 Spruce Street Suite 207 Boulder, CO 80302 303-442-0408, fax: 303-447-1905 e-mail: peheinz@peharchitects.com		
<b>MUSEUM COLLECTIONS &amp; ARMORY WINDOW REPLACEMENT</b>  UNIVERSITY of COLORADO BOULDER, COLORADO PR 004637		
SHEET TITLE <b>MUSEUM COLLECTIONS WINDOW DETAILS</b>		
PROJECT:	2009.12	
DATE:	6/24/09	
DRAWN BY:	CMM	
CHECKED BY:	PEH	SHEET NUMBER <b>A202</b> OF



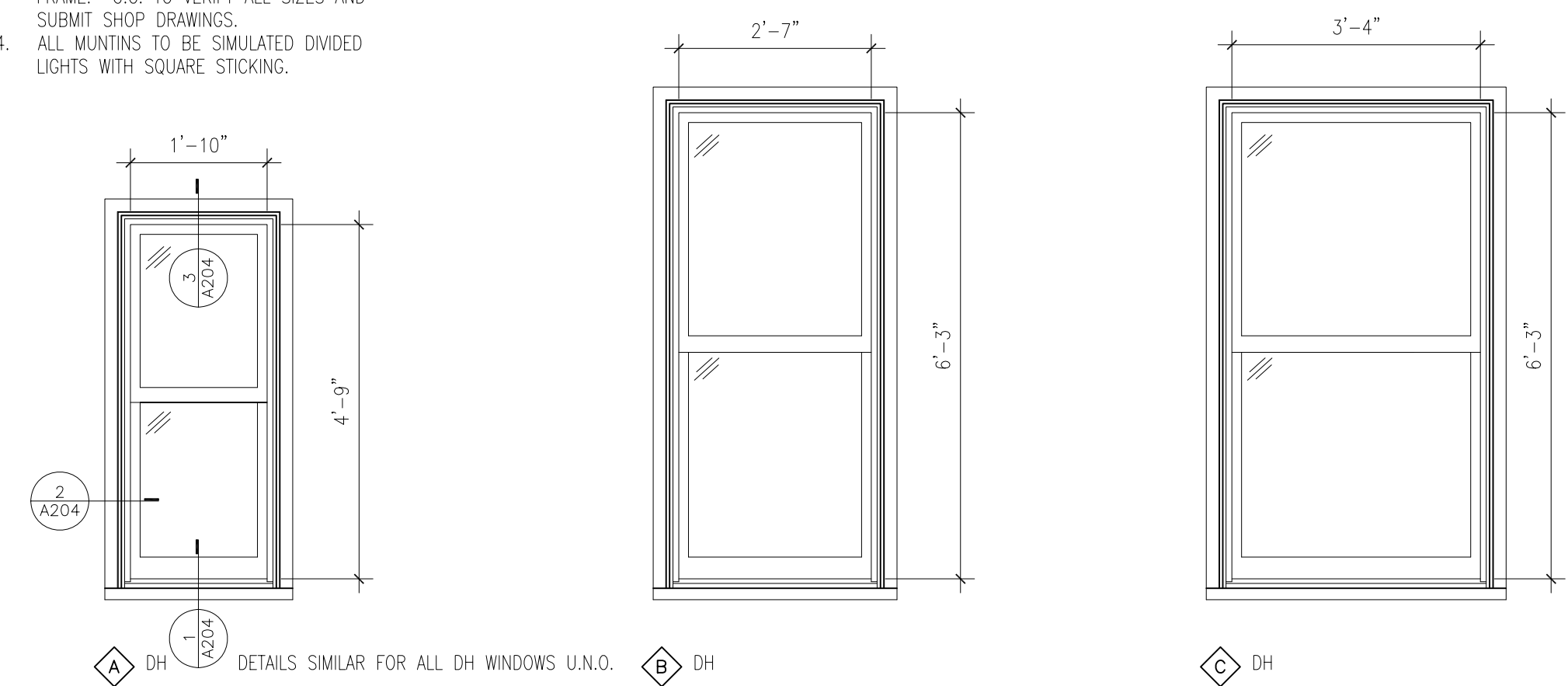
3 SECOND FLOOR PLAN  
1/8"=1'-0"



2 FIRST FLOOR PLAN  
1/8"=1'-0"



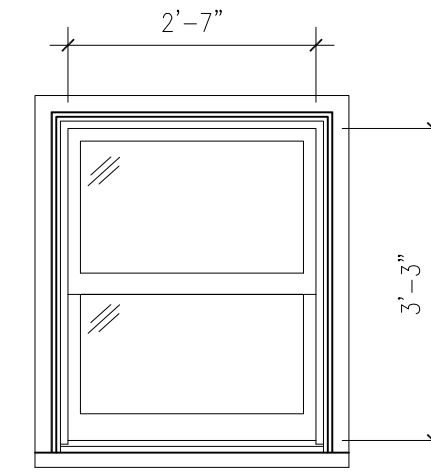
- NOTES:
1. PROVIDE (2) ANTIQUE BRASS BAR-TYPE SASH LIFTS AND (1) ANTIQUE BRASS SASH LOCK AT EACH DOUBLE HUNG WINDOW.
  2. PROVIDE (1) ANTIQUE BRASS CRANK HANDLE AND (1) ANTIQUE BRASS LOCK LEVER AT EACH CASEMENT WINDOW.
  3. DIMENSIONS SHOWN ARE APPROX. FRAME TO FRAME. G.C. TO VERIFY ALL SIZES AND SUBMIT SHOP DRAWINGS.
  4. ALL MUNTINS TO BE SIMULATED DIVIDED LIGHTS WITH SQUARE STICKING.



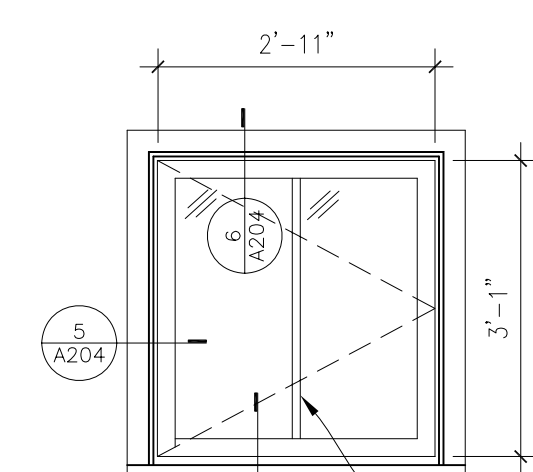
A DH DETAILS SIMILAR FOR ALL DH WINDOWS U.N.O.

B DH

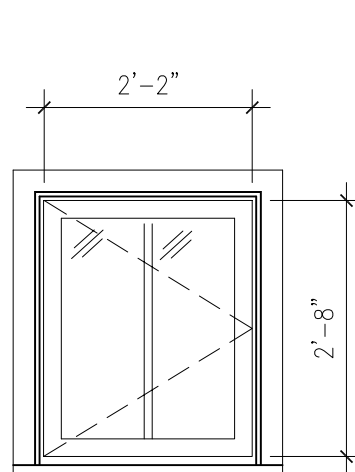
C DH



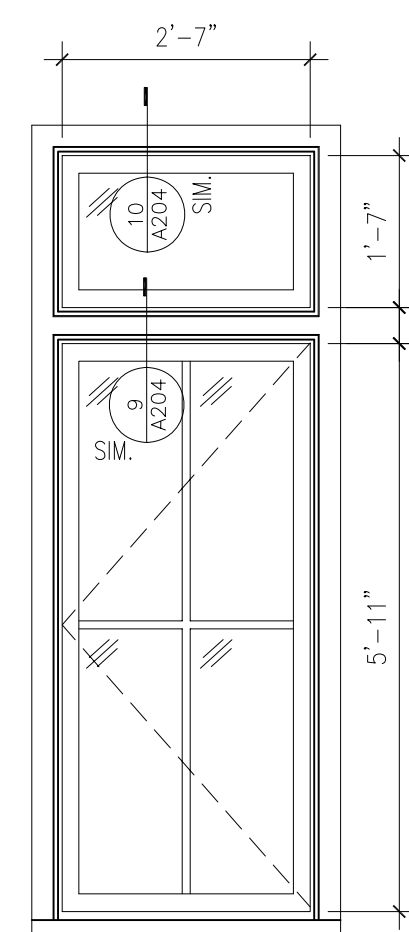
D DH



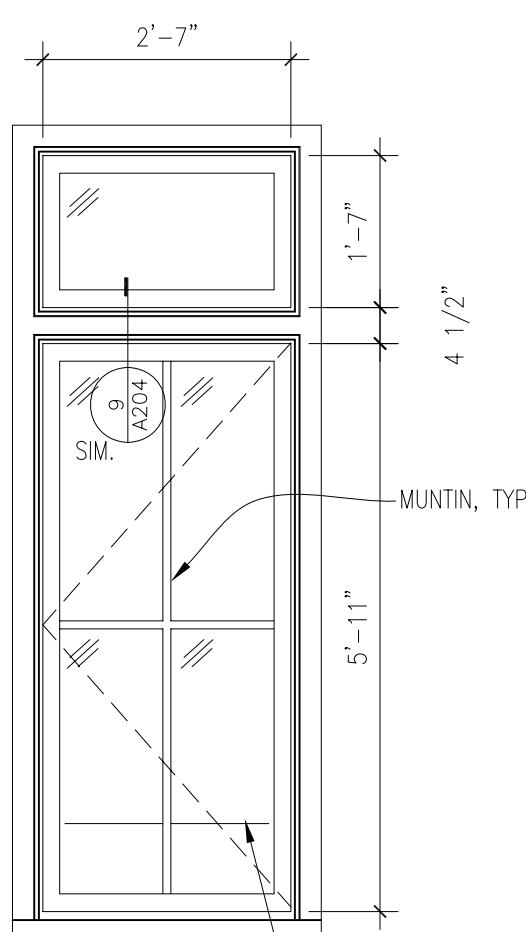
E CS



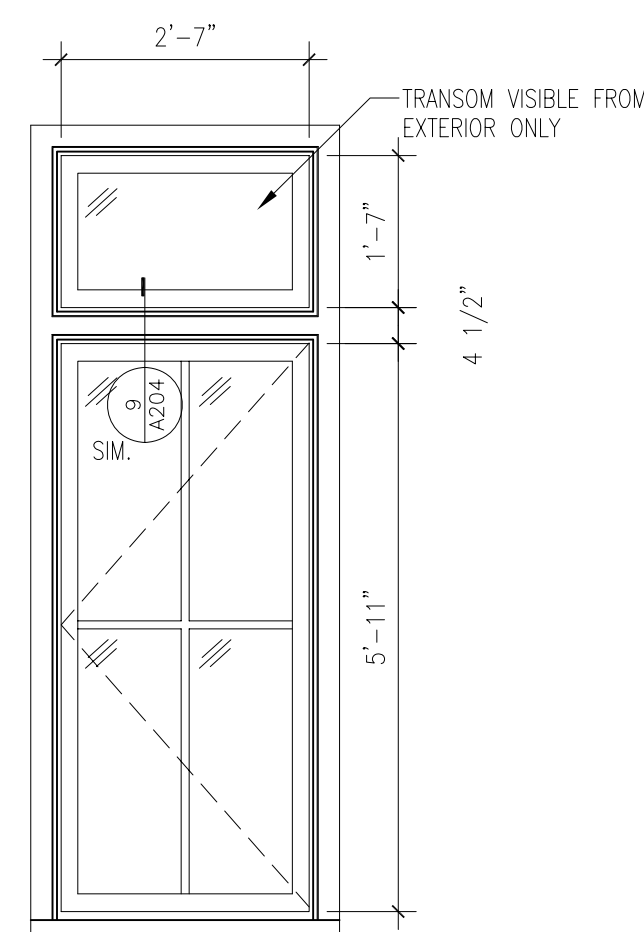
F CS



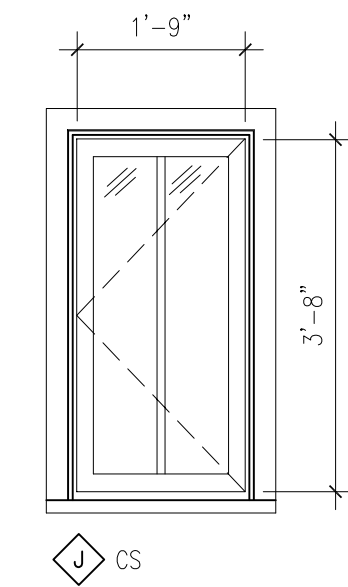
H CS



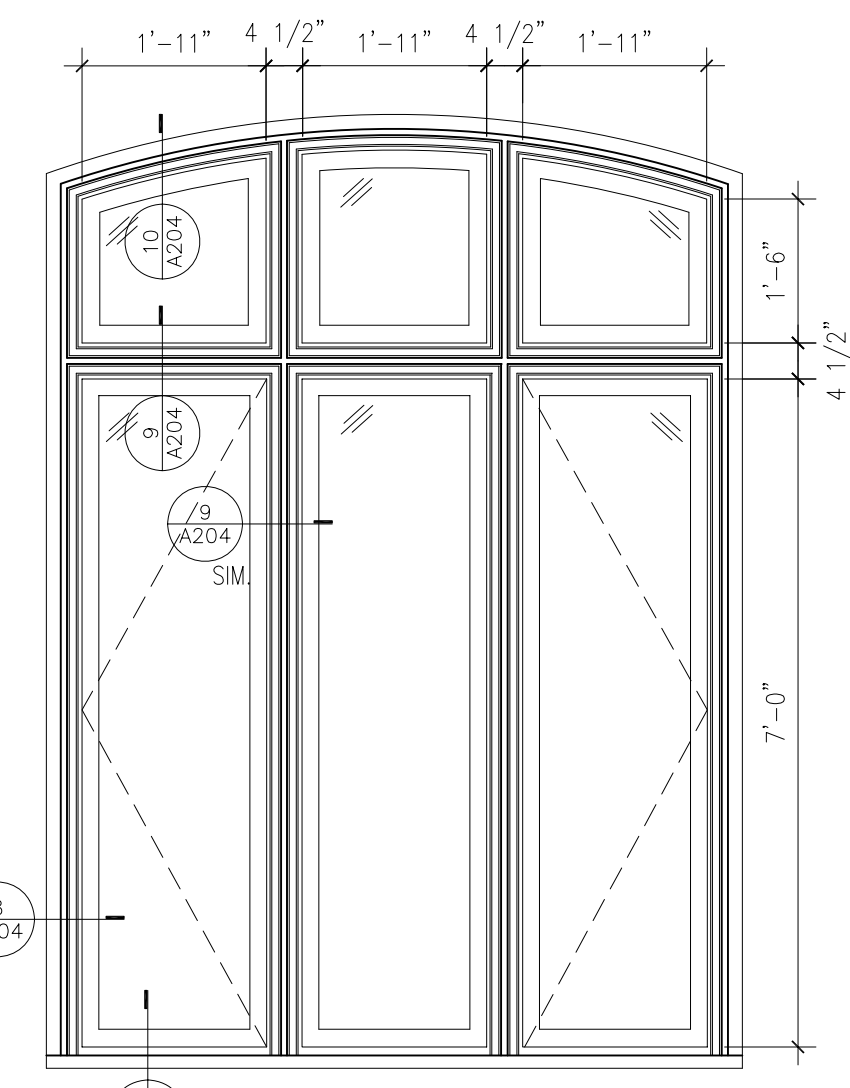
H-1 CS (FALSE SILL)



H-2 CS



J CS



K CS/FIXED

KEY NOTES

1. FALSE SILL CONDITION.
2. NO DIVIDED LIGHT IN EXISTING WINDOW.
3. EXISTING WINDOW IS FRAMED OVER AT INTERIOR OF BUILDING, RE: 3/A200 (SIM).
4. TRANSOM IS NOT VISIBLE FROM THE INTERIOR, YET A TRANSOM DOES EXIST.
5. 6" x 18" EXHAUST DUCT RUNS THROUGH TOP SASH OF EXISTING WINDOW. PROVIDE OPAQUE PANEL AT NEW WINDOW SASH TO ACCEPT EXHAUST DUCT.
6. 6" x 9" EXHAUST DUCT RUNS THROUGH TOP SASH OF EXISTING WINDOW. PROVIDE OPAQUE PANEL AT WINDOW SASH TO ACCEPT EXHAUST DUCT.
7. (3) CONDUITS RUN THROUGH HEAD OF WINDOW PROVIDE OPAQUE PANEL AT NEW WINDOW SASH.
8. PROVIDE FROSTED GLASS AT RESTROOMS.

ALTERNATE NOTES:

WORK SHOWN ON THIS SHEET IS PART OF:  
ADD ALTERNATE #1: WINDOW REPLACEMENT IN ARMORY BUILDING

1 EXTERIOR WINDOW ELEVATIONS  
1/2"=1'-0"

4. 4/15/2010 ISSUE FOR BIDS - REVISED
3. 3/10/2010 ISSUE FOR BIDS
2. 1/15/2010 SOF CD PROGRESS SET
1. 1/4/2010 CD PROGRESS SET

NO. DATE REVISION

**PEH ARCHITECTS**  
1319 Spruce Street Suite 207  
Boulder, CO 80302  
303-442-0408, fax: 303-447-1905  
e-mail: peheinz@peharchitects.com

**MUSEUM COLLECTIONS & ARMORY WINDOW REPLACEMENT**

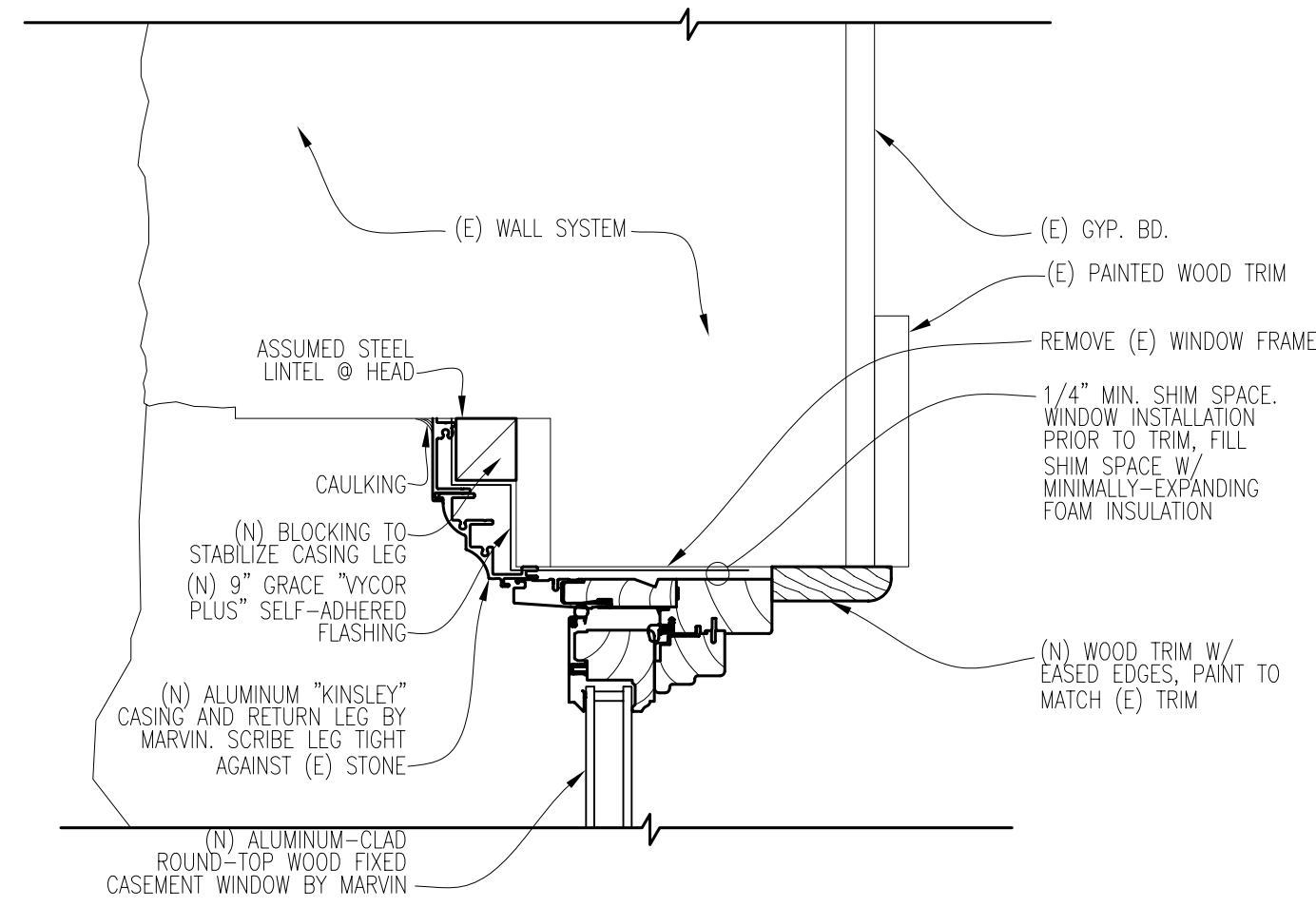
UNIVERSITY of COLORADO  
BOULDER, COLORADO  
PR 004637

SHEET TITLE  
**ARMORY 1ST & 2ND FLOOR PLANS & WINDOW ELEVATIONS**

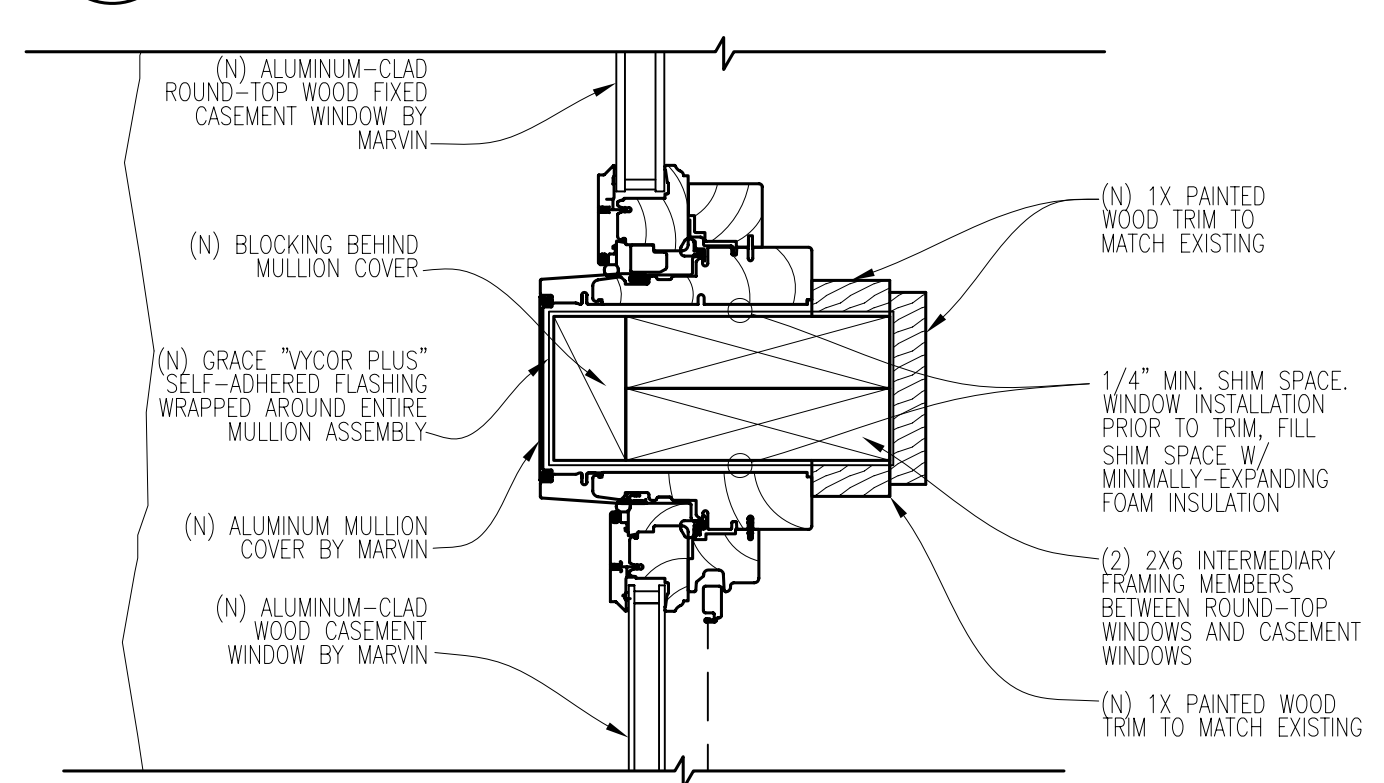
PROJECT: 2009.12  
DATE: 6/24/09  
DRAWN BY: CMM  
CHECKED BY: PEH

SHEET NUMBER  
**A203**  
OF

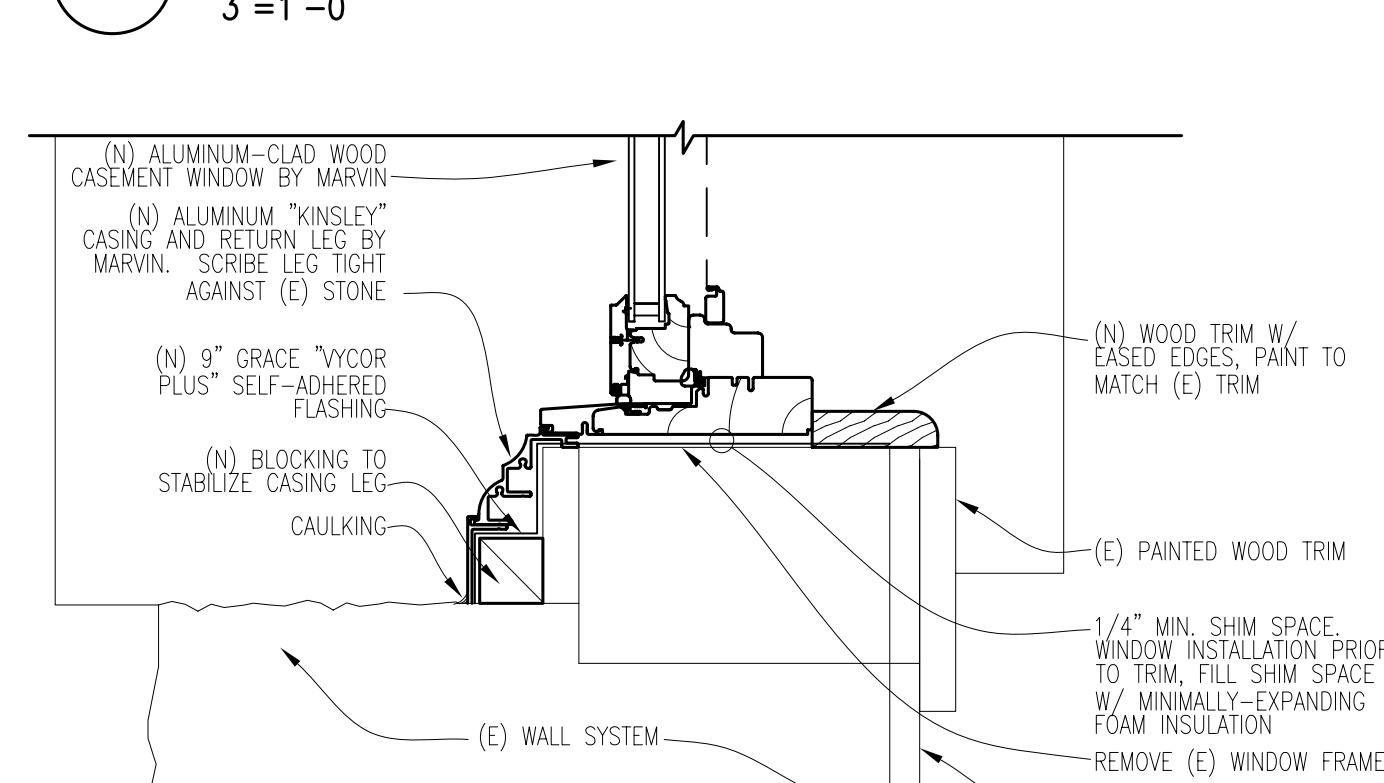




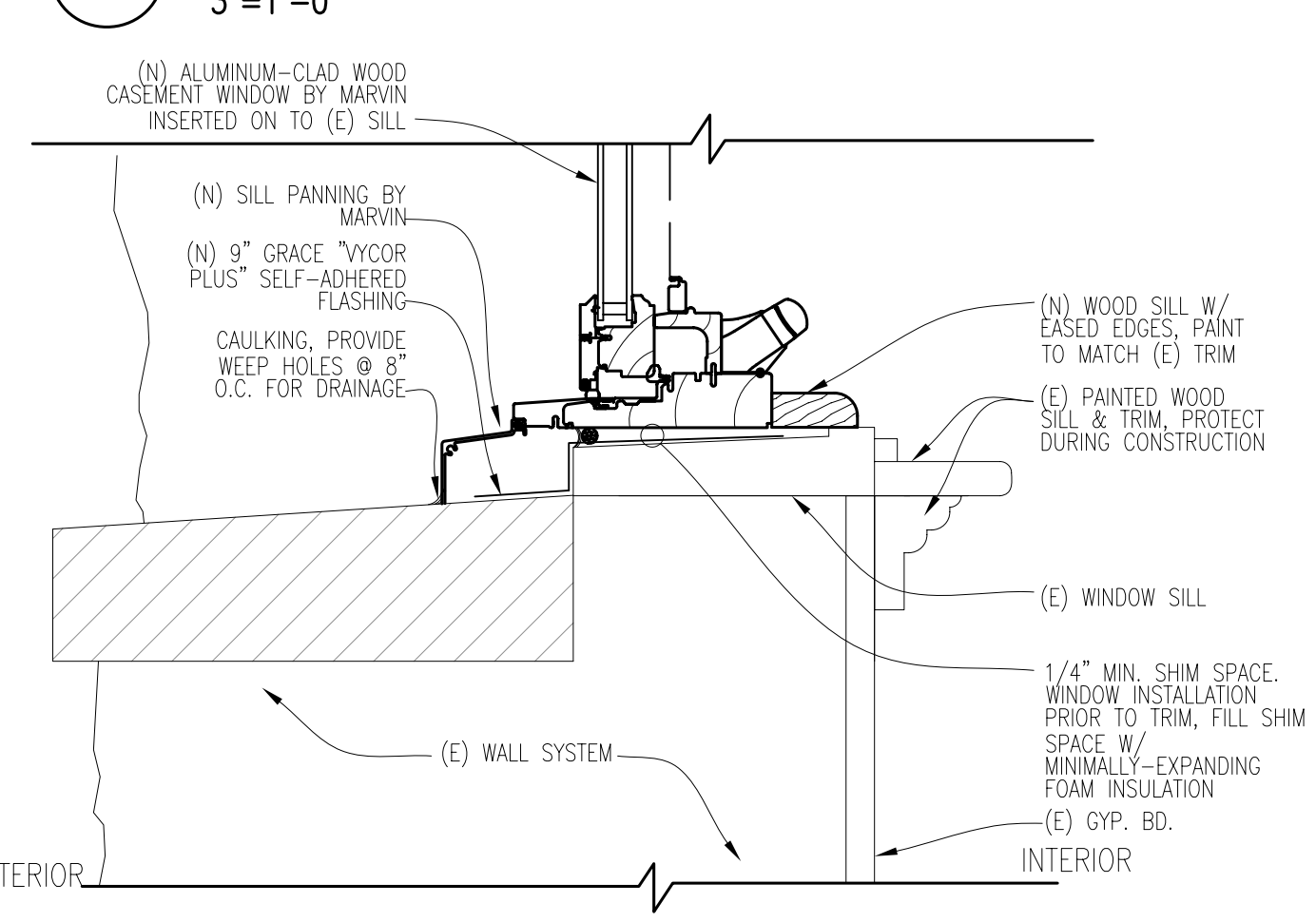
10 "K-TYPE" (ROUND TOP) WINDOW HEAD DETAIL  
3"=1'-0"



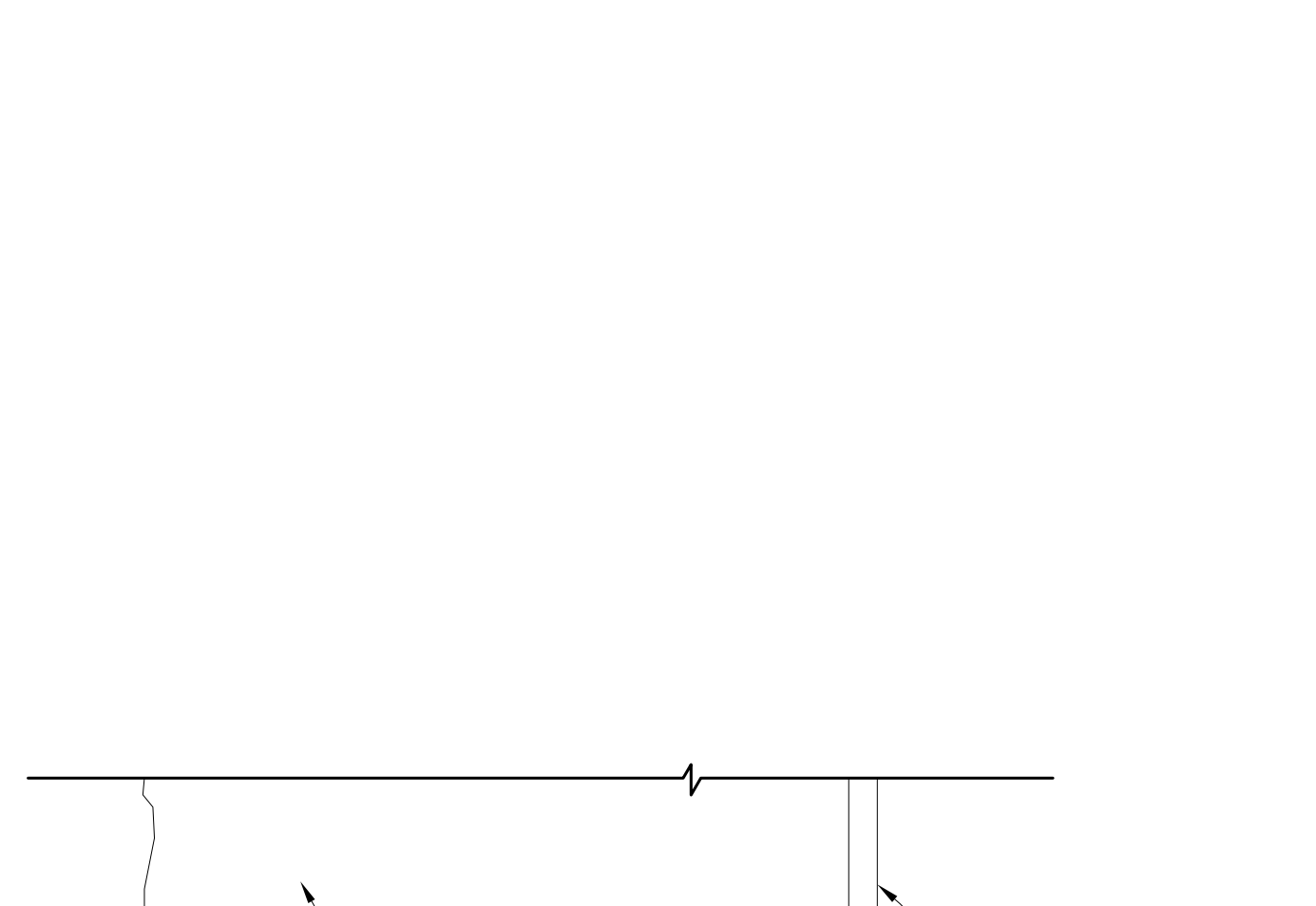
9 "K-TYPE" (ROUND TOP) WINDOW HORIZONTAL MULLION (VERTICAL SIM.)  
3"=1'-0"



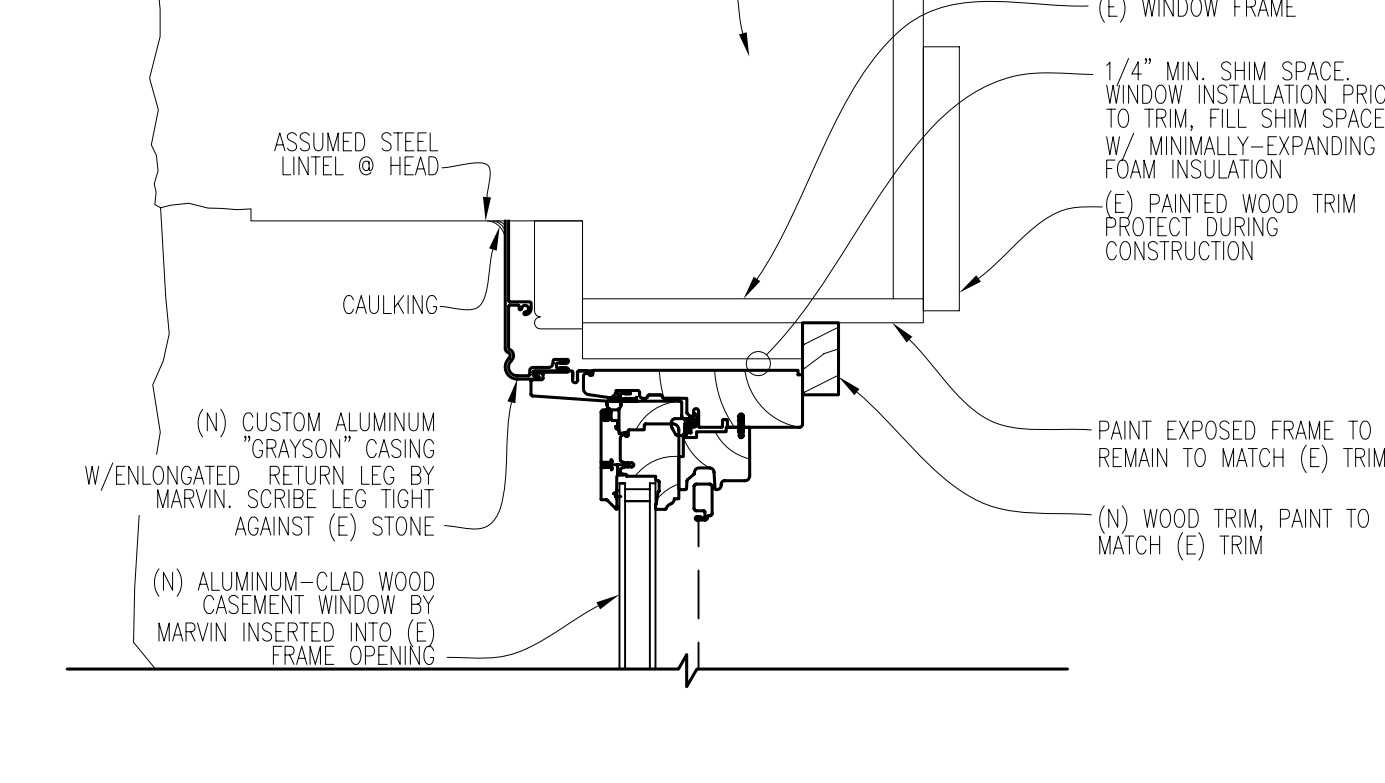
8 "K-TYPE" (ROUND TOP) WINDOW JAMB DETAIL  
3"=1'-0"



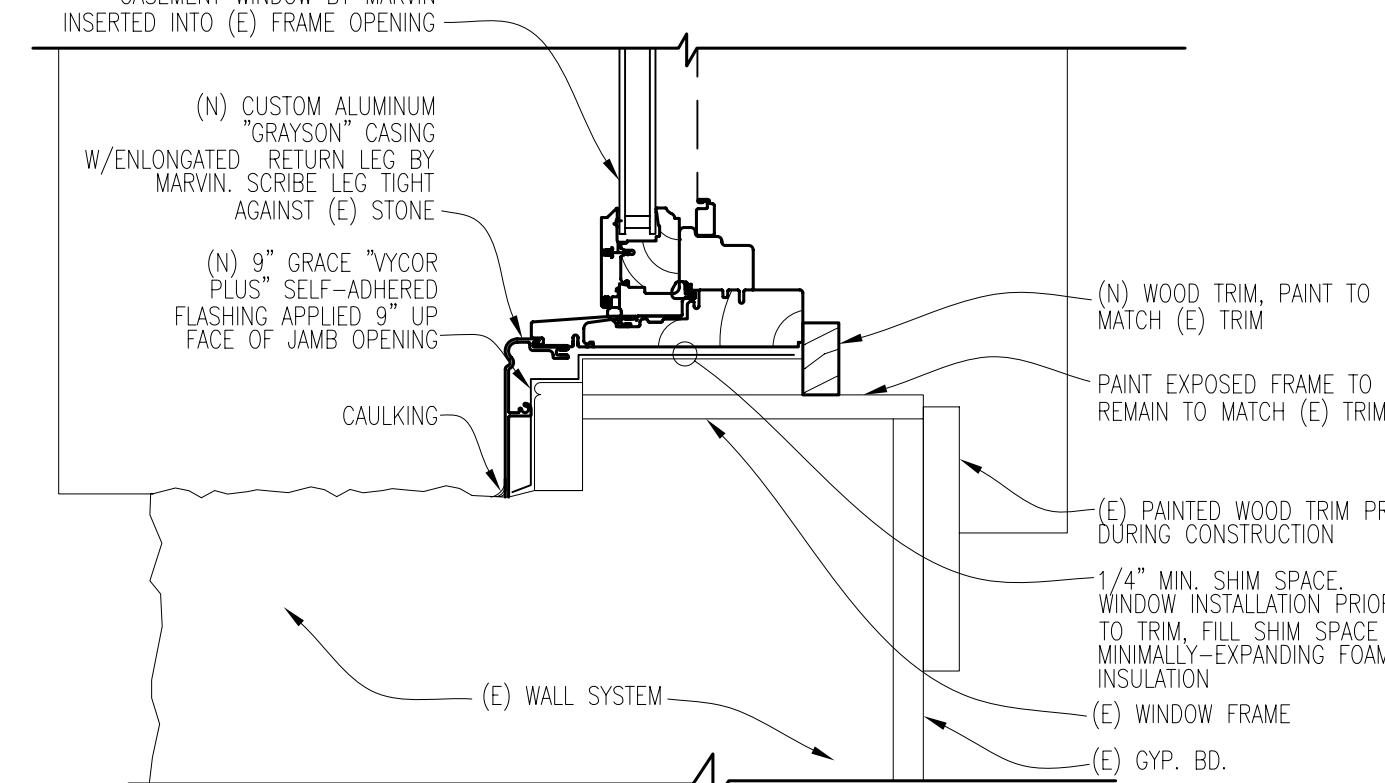
7 "K-TYPE" (ROUND TOP) WINDOW SILL DETAIL  
3"=1'-0"



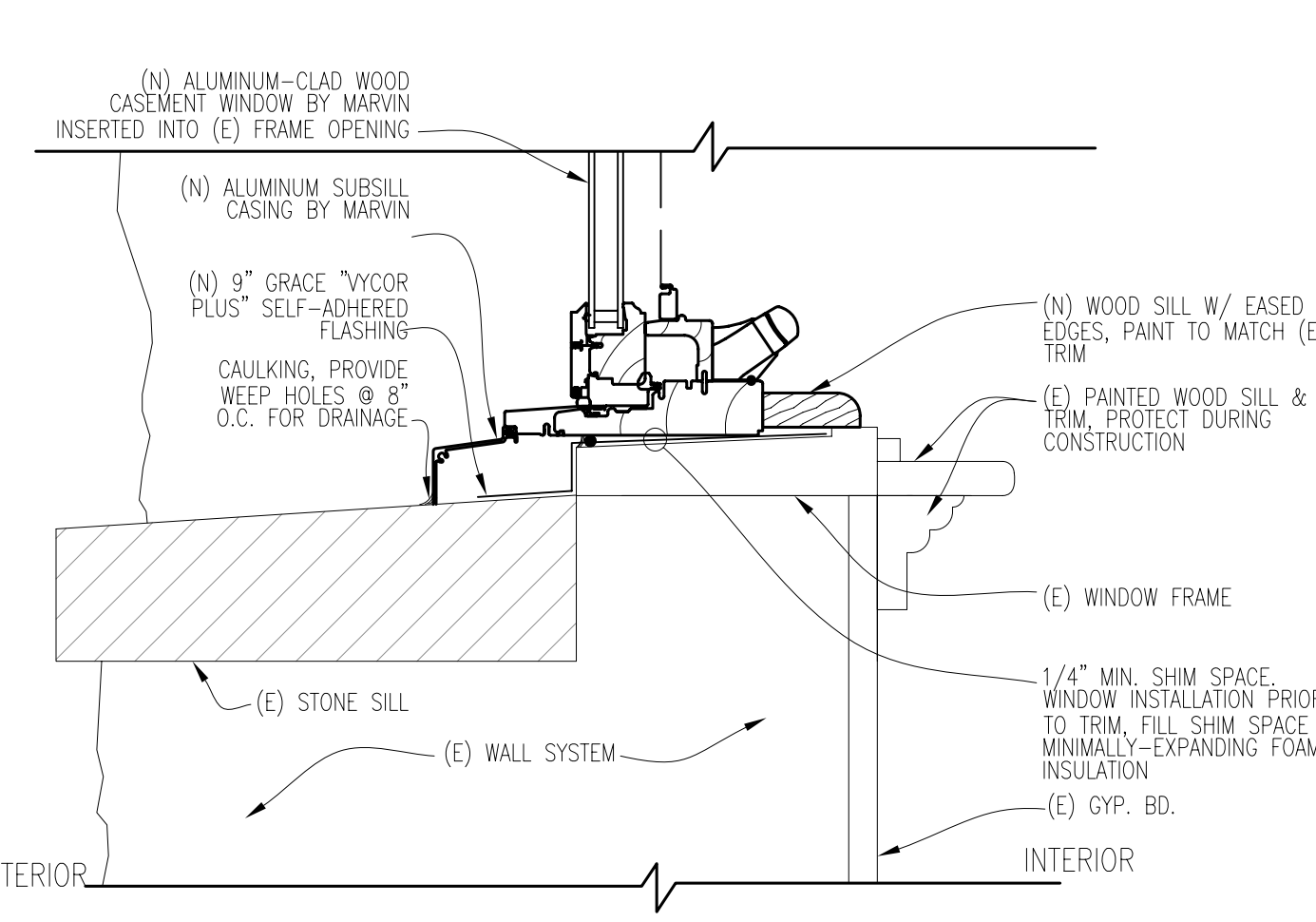
4 CA



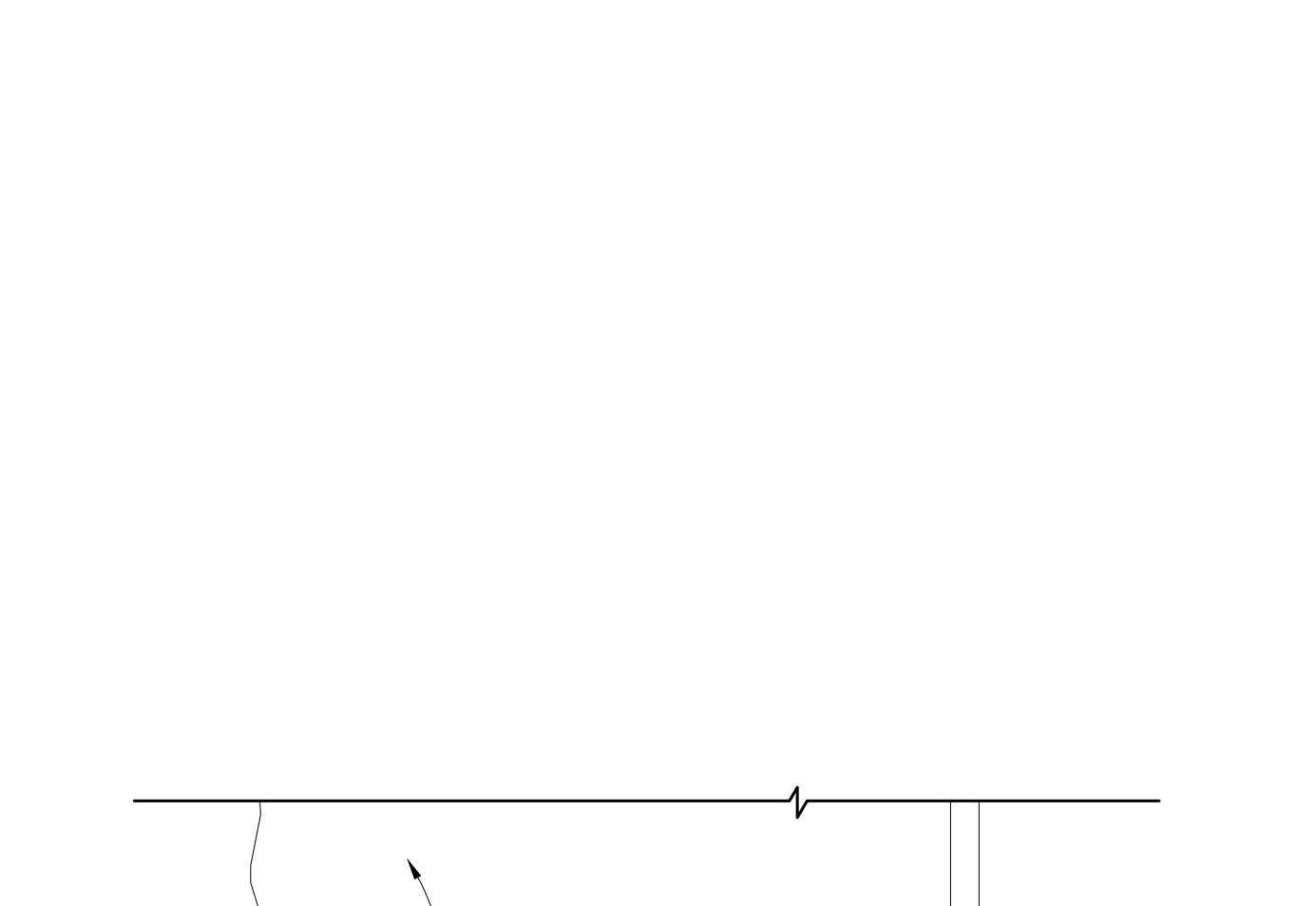
6



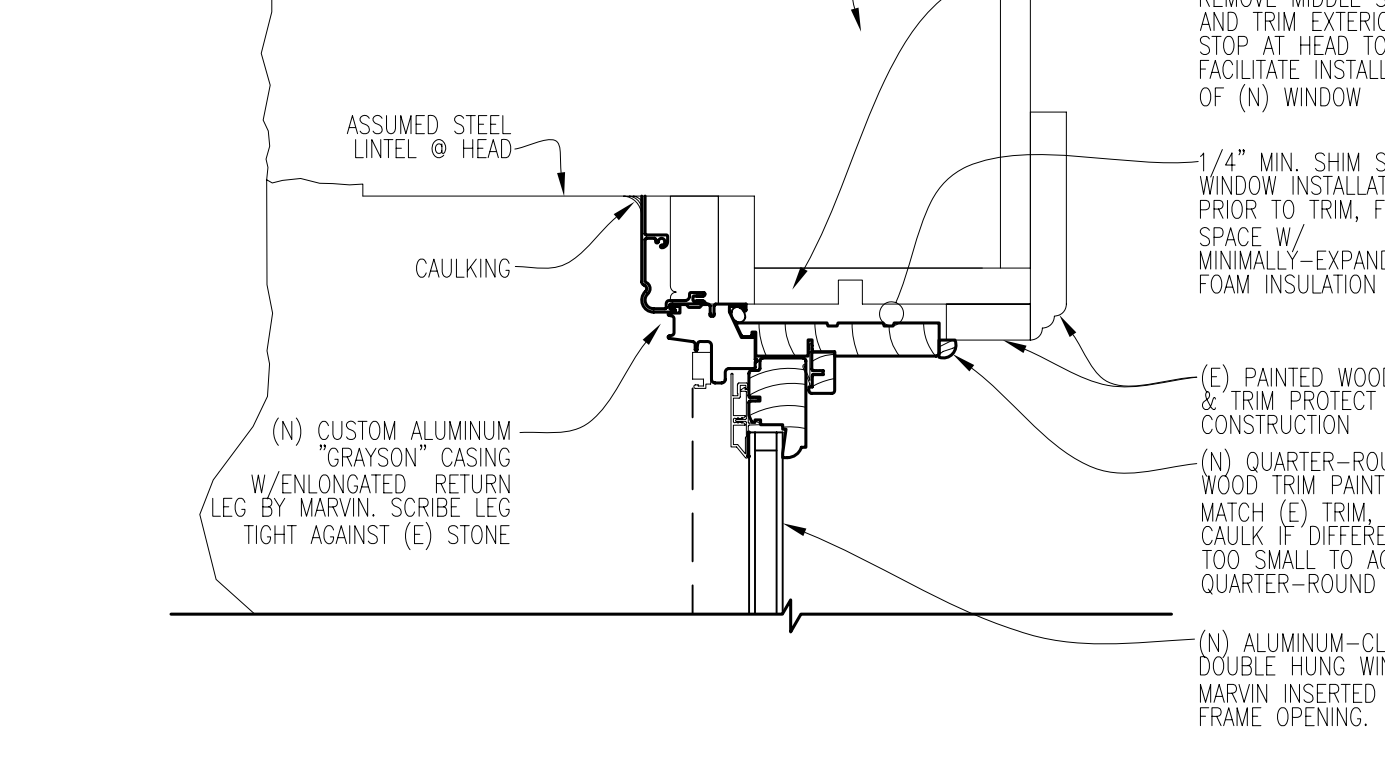
5



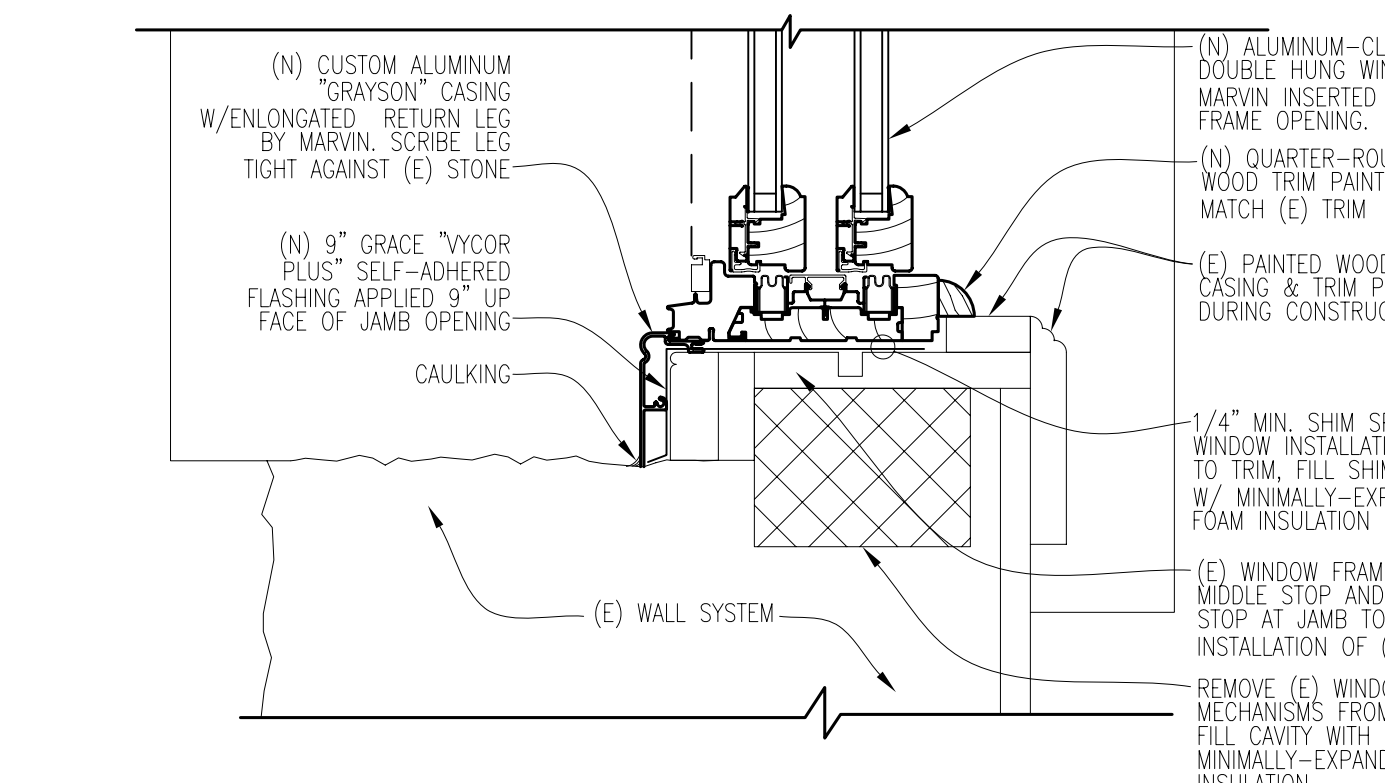
3



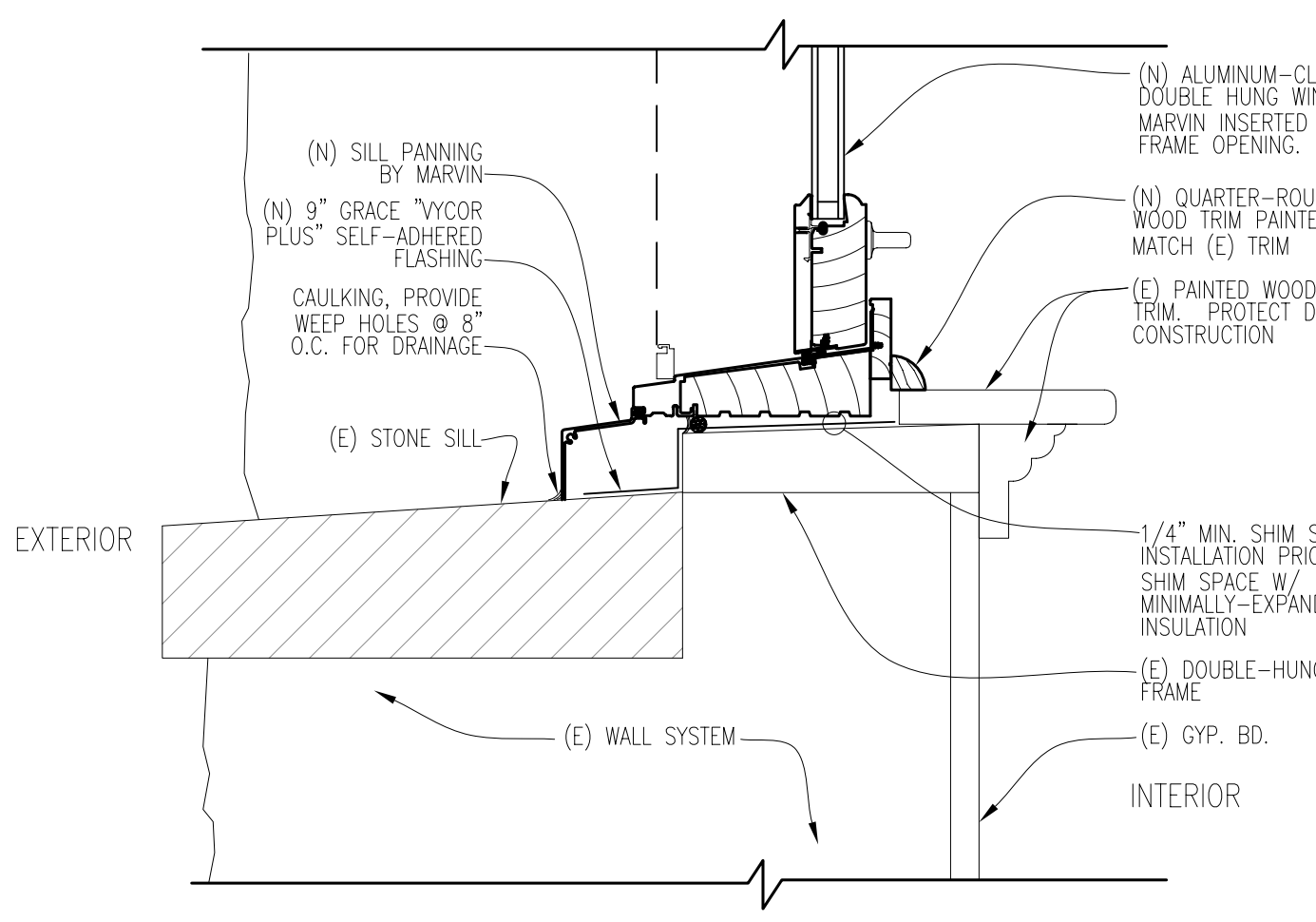
2



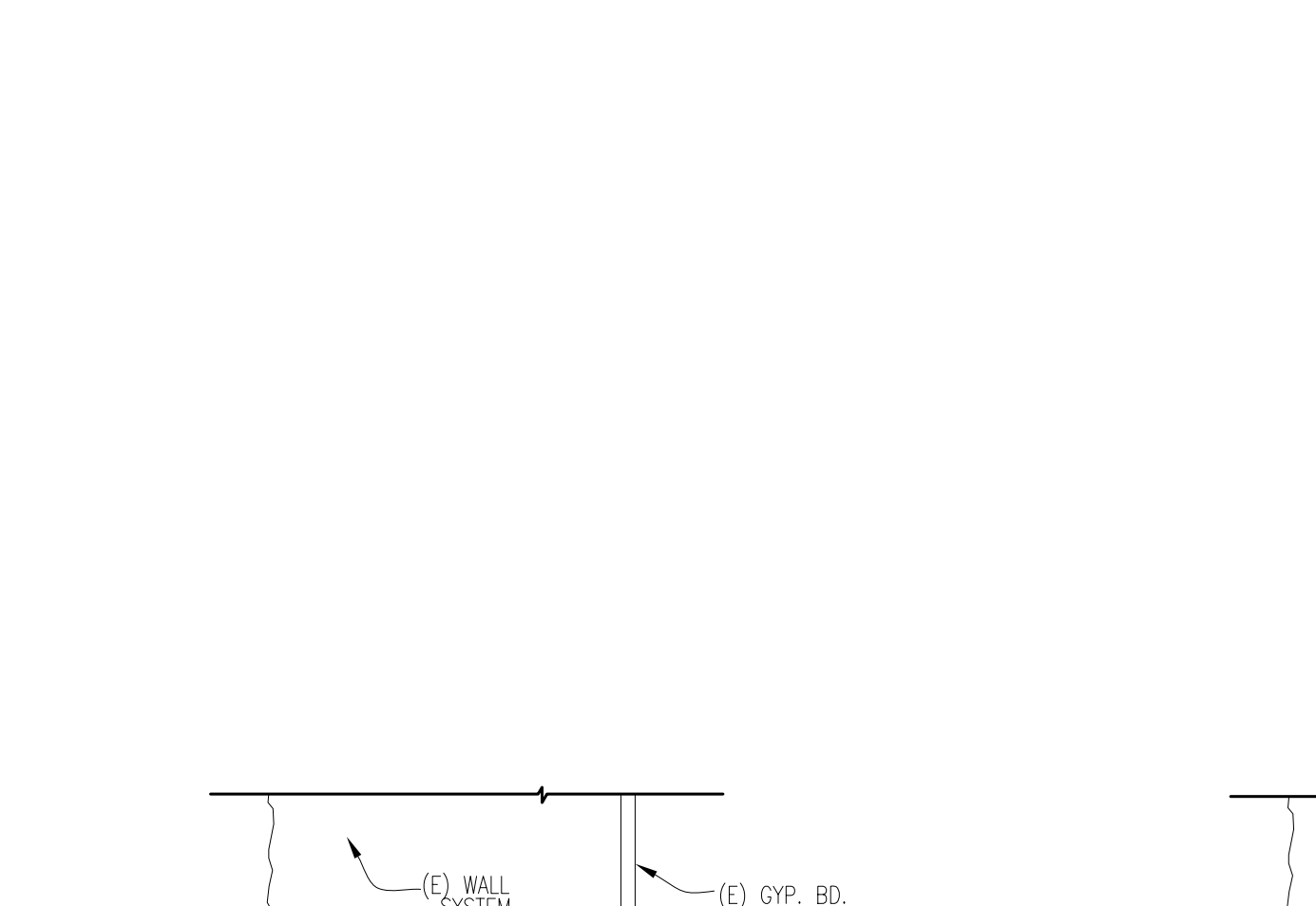
1



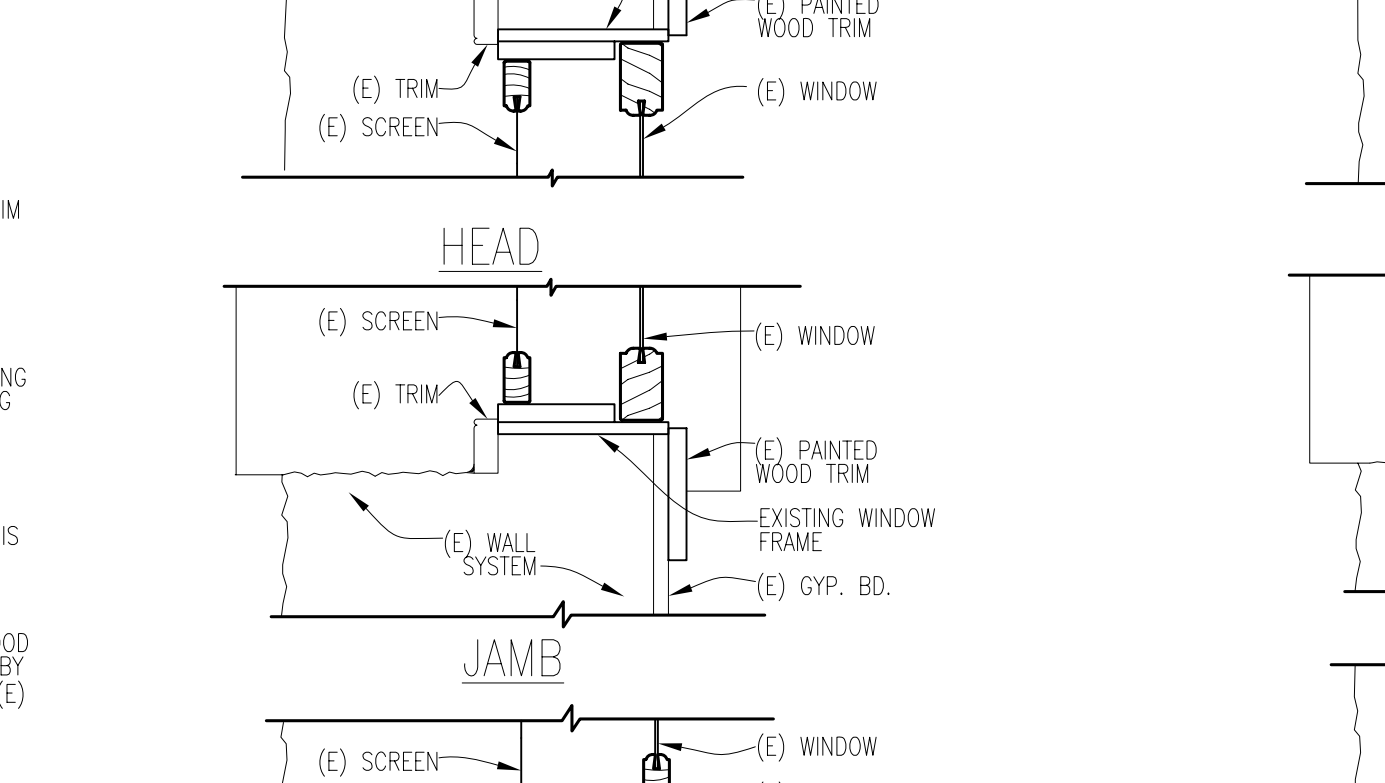
1



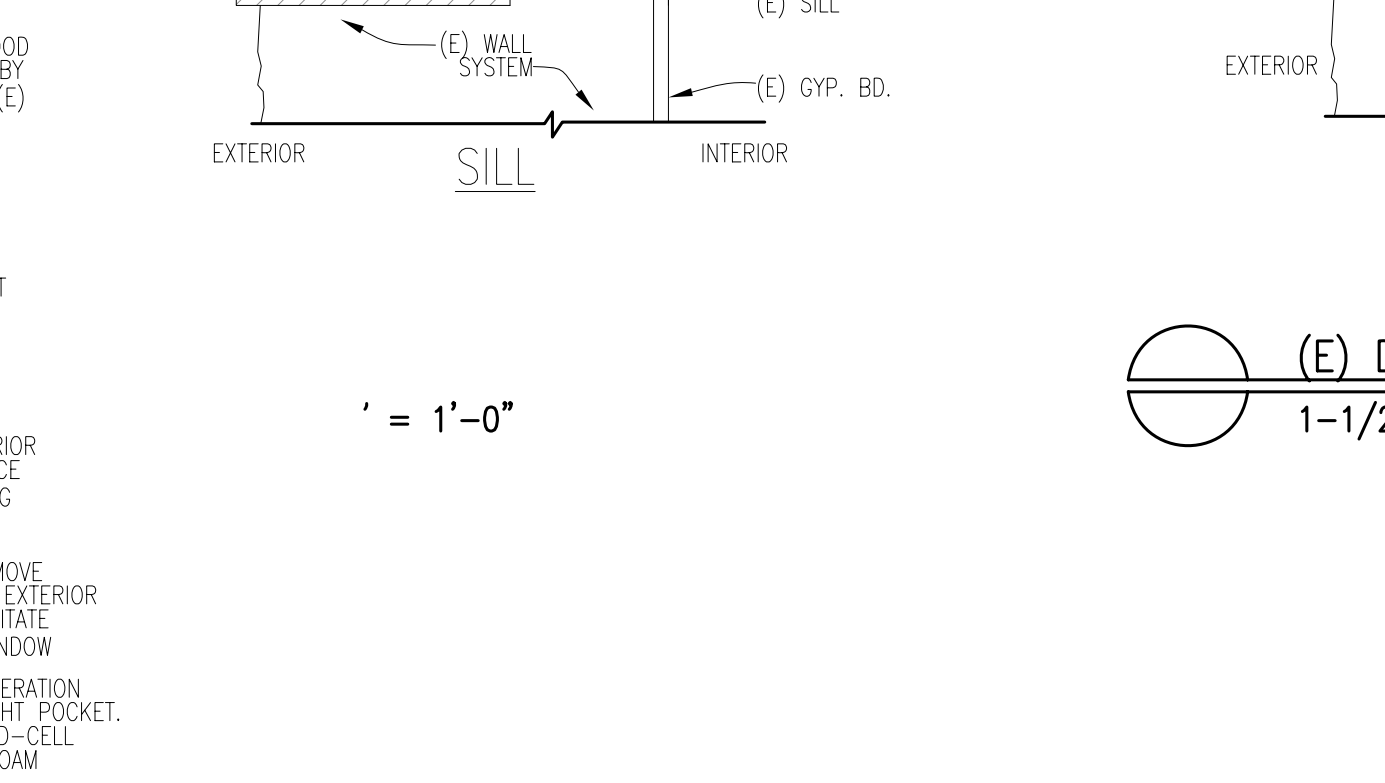
1



1



1



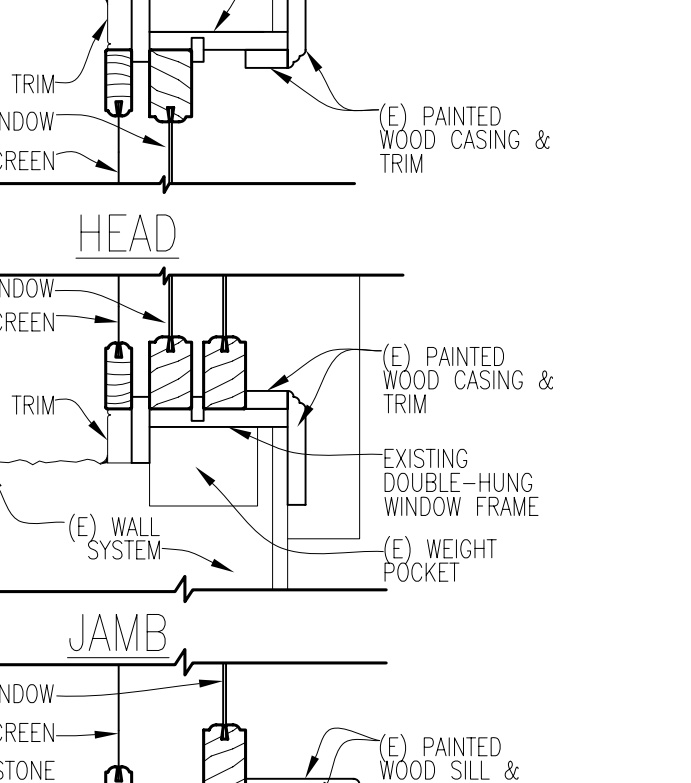
1



1



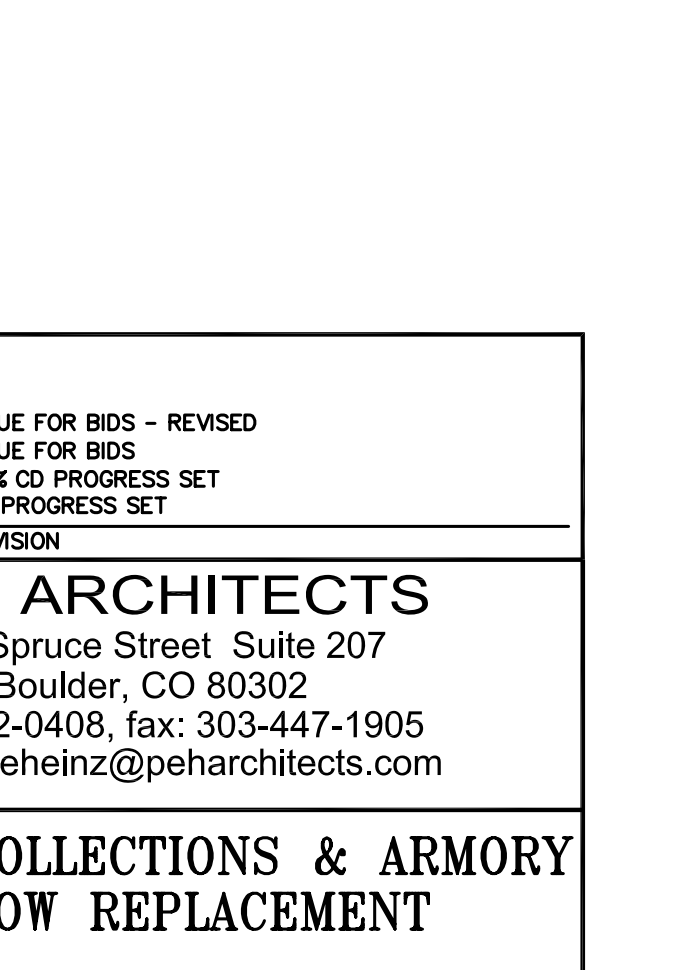
1



1



1



1

ALTERNATE NOTES:  
WORK SHOWN ON THIS SHEET IS PART OF:  
ADD ALTERNATE #1: WINDOW REPLACEMENT IN ARMORY BUILDING  
UNIT PRICE REQUEST #4: WINDOWS IN ARMORY BUILDING TO BE  
FIBERGLASS IN LIEU OF ALUMINUM-CLAD WOOD.

(E) DOUBLE HUNG WINDOW DETAIL  
1-1/2" = 1'-0"

4. 4/15/2010 ISSUE FOR BIDS - REVISED 3. 3/10/2010 ISSUE FOR BIDS 2. 1/13/2010 50% CD PROGRESS SET 1. 1/4/2010 CD PROGRESS SET NO. DATE REVISION	
<b>PEH ARCHITECTS</b> 1319 Spruce Street Suite 207 Boulder, CO 80302 303-442-0408 fax: 303-447-1905 e-mail: peheinz@peharchitects.com	
<b>MUSEUM COLLECTIONS &amp; ARMORY</b> <b>WINDOW REPLACEMENT</b>  UNIVERSITY of COLORADO BOULDER, COLORADO PR 004637	
SHEET TITLE	
ARMORY WINDOW DETAILS	
PROJECT: 2009.12	SHEET NUMBER
DATE: 6/24/09	A204
DRAWN BY: CMM	OF
CHECKED BY: PEH	